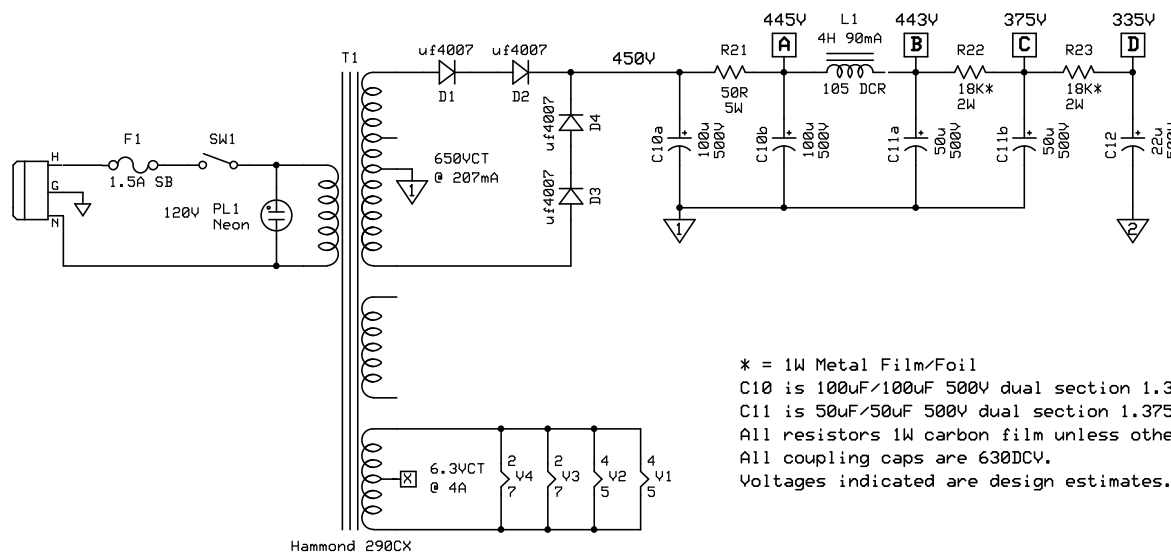


Edcor EM0746
 6.6K:16/8/4 25W
 Hammond 1650G
 6.6K:16/8/3.5 35W



* = 1W Metal Film/Foil
 C10 is 100uF/100uF 500V dual section 1.375" can.
 C11 is 50uF/50uF 500V dual section 1.375" can.
 All resistors 1W carbon film unless otherwise noted.
 All coupling caps are 630DCV.
 Voltages indicated are design estimates.

Tube Voltage Chart

	V1	V2	V3	V4
1	0	0	32	32
2	g1	g1	fil	fil
3	0	0	440	440
4	fil	fil	435	435
5	fil	fil	g1	g1
6	0	0	n/c	n/c
7	g1	g1	fil	fil
8	0	0	32	32
9	fil	fil	n/a	n/a

S.T.A.C.	
Boilermaker	
EL34 / DL	Rev 1.0 9/30/2014
Page 1 of 1	