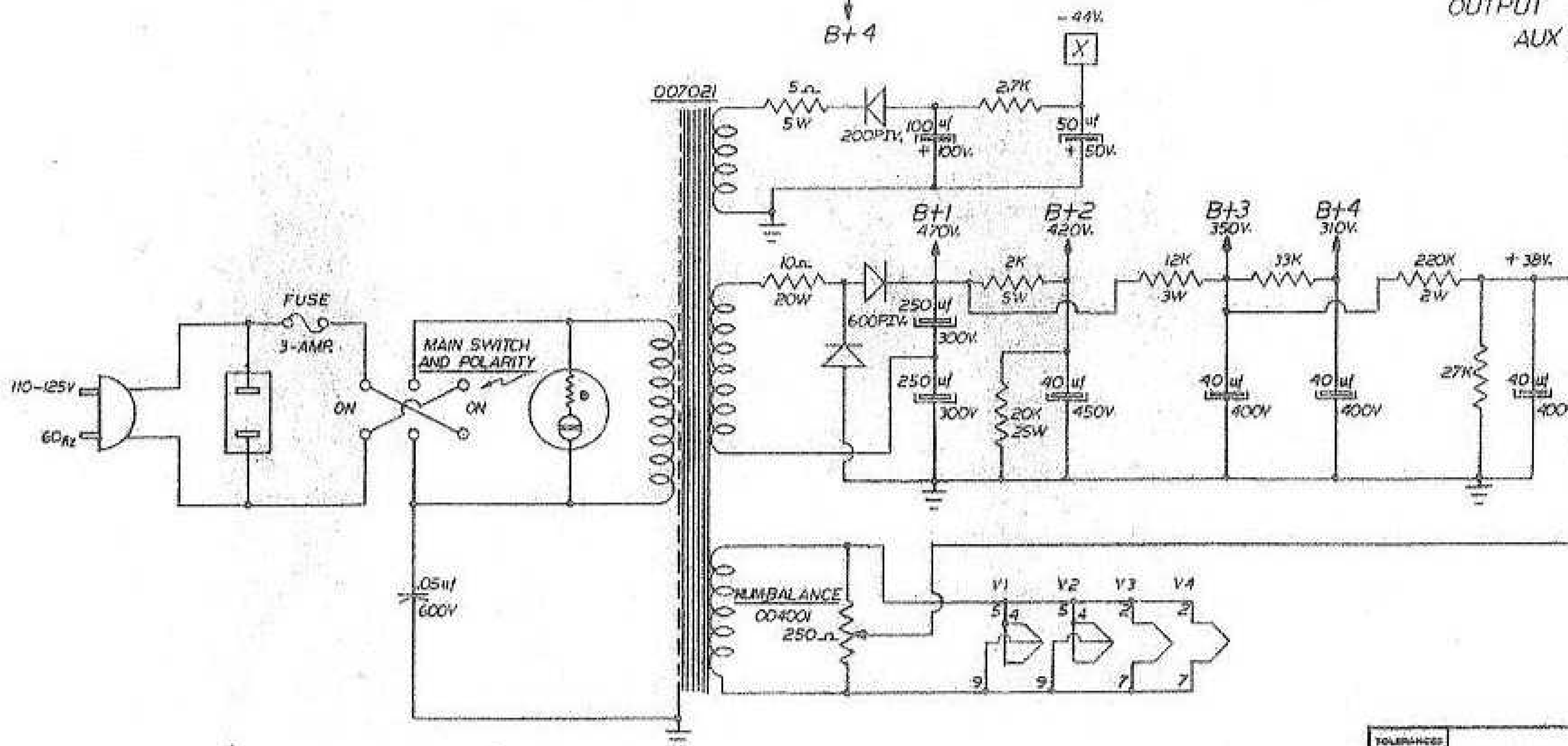


NOTES

ALL CAPACITORS IN MICROFARADS
UNLESS OTHERWISE SPECIFIED.
ALL RESISTORS 1/2W 10%
UNLESS OTHERWISE SPECIFIED.

ALL D.C. VOLTAGE MEASUREMENTS
ARE WITH RESPECT TO GROUND
AND ARE TAKEN AT 117VAC LINE
VOLTAGE WITH 8-Ω LOAD CONNECTED
TO OUTPUT AND NO SIGNAL APPLIED
TO INPUT.

ADJUST EACH OUTPUT BIAS CONTROL
TO PROVIDE .414V.DC AT CATHODE OF
THE ASSOCIATED TUBE.



TOLERANCES (UNLESS OTHERWISE SPECIFIED)			
RESISTORS		±10%	±5%
CAPACITORS		±10%	±5%
DATE	7-28-69		
TITLE	THUNDERSTAR BASS		
APPROVED BY	[Signature]		