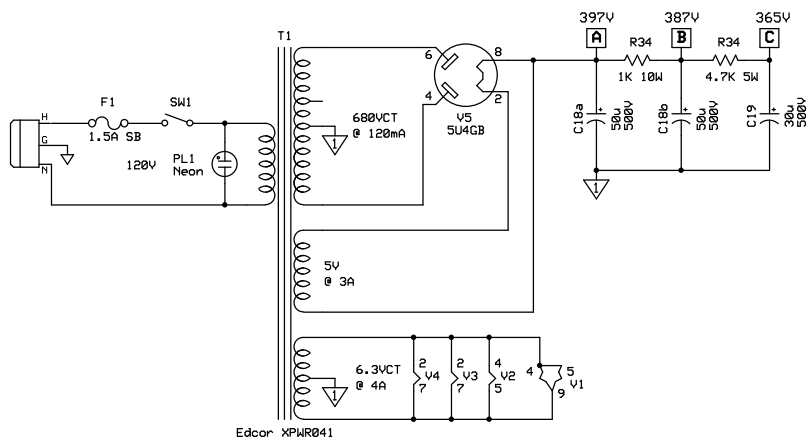


T2 = Hoffman 4K:2 Bassman OT w/ 4 ohm speaker load



Edcor XPMR041

Tube Voltage Chart

	V1	V2	V3	V4	V5
1	g1	273	28.0	28.0	
2	n/c	g1	fil	fil	
3	1.58	90	394	394	
4	fil	fil	384	384	342AC
5	fil	fil	g1	g1	
6	n/c	130	n/c	n/c	348AC
7	77	72	fil	fil	
8	175	91	28.0	28.0	397
9	1.58	2.23	n/a	n/a	

VeseR24 = 10.68V

* = 1W Metal Film/Foil
 C18 is 100uF/100uF 500V dual section 1.375" can.
 All resistors 1W carbon film unless otherwise noted.
 All coupling caps are 630DCV.
 Voltages indicated are actual, measured @ 120VAC line
 All voltage readings DC ref. to gnd., UON.

S.T.A.C.		
Casino El Camino		
P. Mitcheltree	Rev A3.0	Page 1 of 1
	11/3/2014	