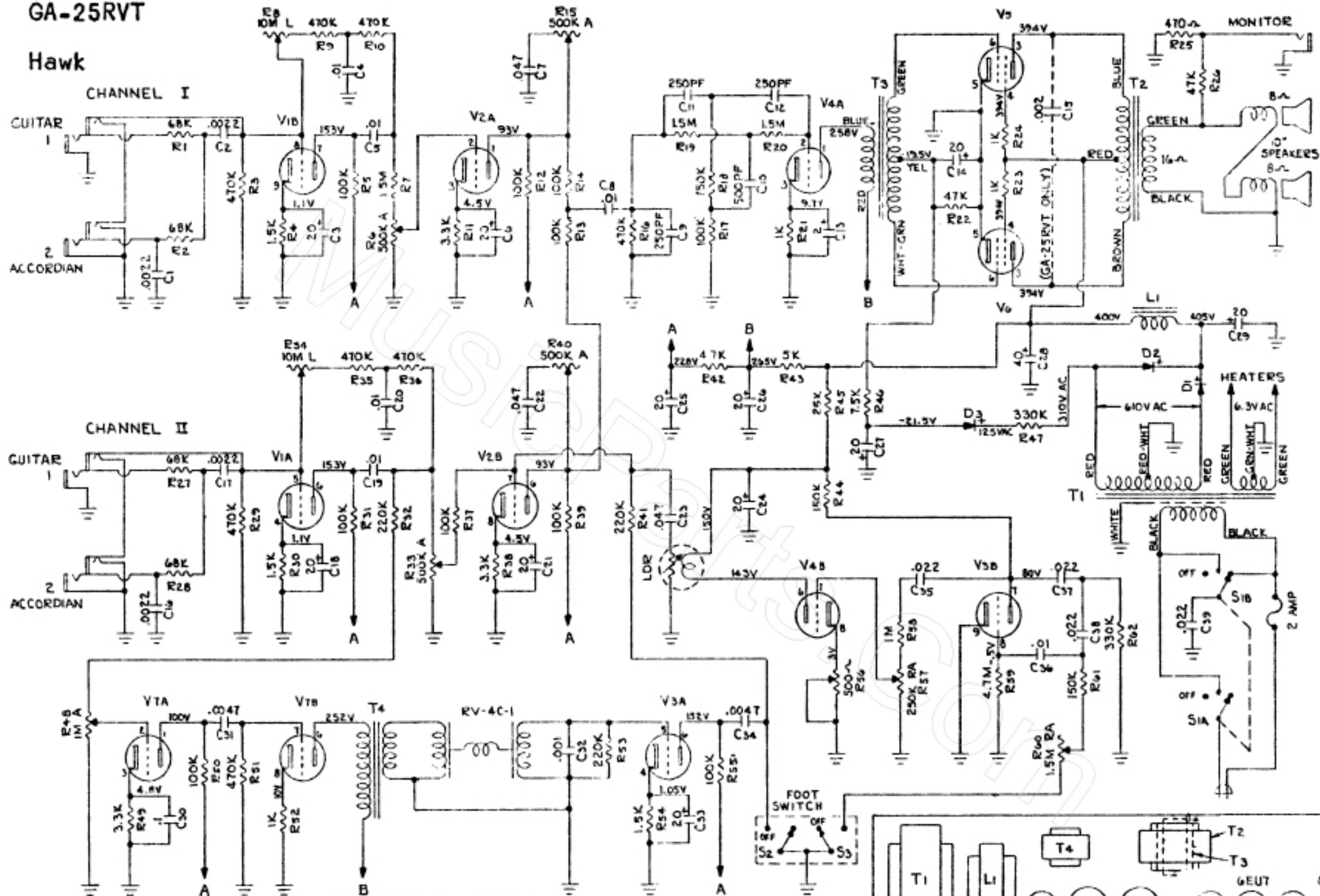


# GA-25RVT

## Hawk



T1	Power Transformer	TF-100P	R56	500 ohm, wire wound	CB-73391
T2	Output Transformer	TF-6417-1	R8, R34	10 meg, C1 Linear	CBA-811-370C
T3	Driver Transformer	TF-1001-D	R57	250K, C3 Reversed audio	CBA-811-3704
T4	Reverb Transformer	TF-6400	R6, R15, R57		
L1	Filter Choke	TF-3021-H	R33, R40	500K, C2 audio	CBA-811-3707
D1, D2	Diodes	DI-57	R48	1 meg, C2 audio	CBA-811-3709
D3	Diode	DI-71B	R60	1.5 meg, C3 Reversed audio	CBA-811-3711
S1A, S1B	Switch, Rotary	SW-899	(2)	10" Speakers, 8 ohm	S-20003
S2, S3	Switch, Push, Push	SW-82403			