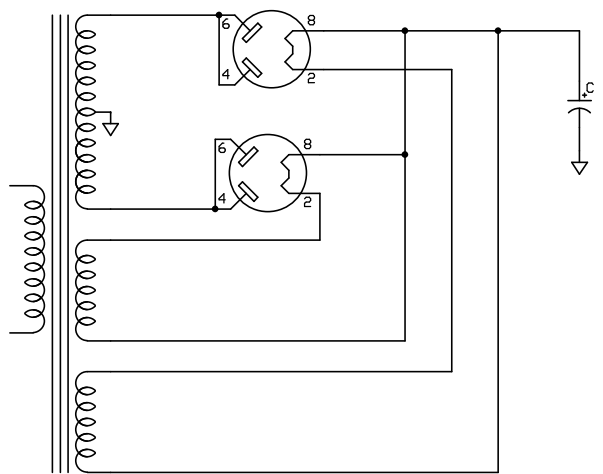
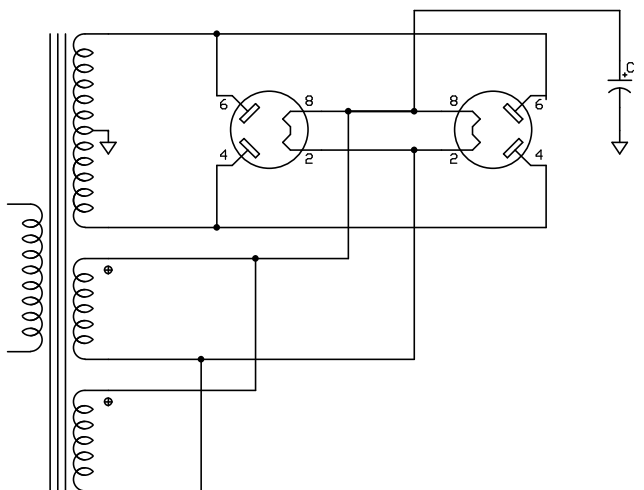


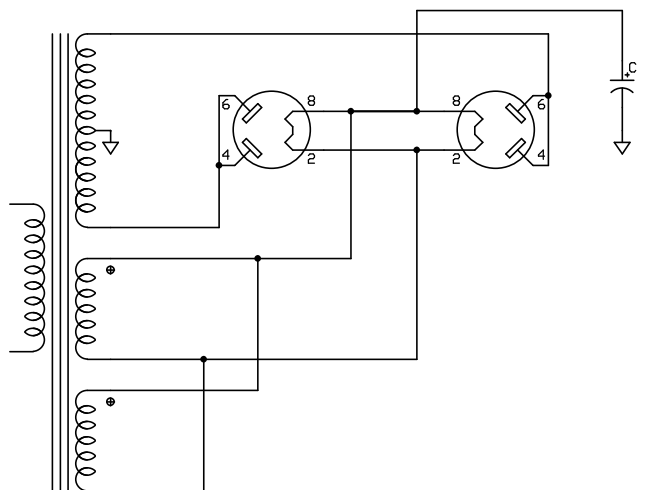
A) Plates split and Filaments split



B) Plates common and Filaments split



C) Plates split and Filaments paralleled



D) Plates common and Filaments paralleled