

<u>Tube</u>	<u>Pin 1</u>	<u>Pin 2</u>	<u>Pin 3</u>	<u>Pin 4</u>	<u>Pin 5</u>	<u>Pin 6</u>	<u>Pin 7</u>	<u>Pin 8</u>	<u>Pin 9</u>
V1 - 6EU7	Heater	Heater	NC	1.4	0	134	90	0	1.0
V2 - 6EU7	Heater	Heater	NC	23	16	245	256	16	24
V3 - 6CA7	NC	Heater	477	479	-40	NC	Heater	0	--
V4 - 6CA7	NC	Heater	477	479	-40	NC	Heater	0	--

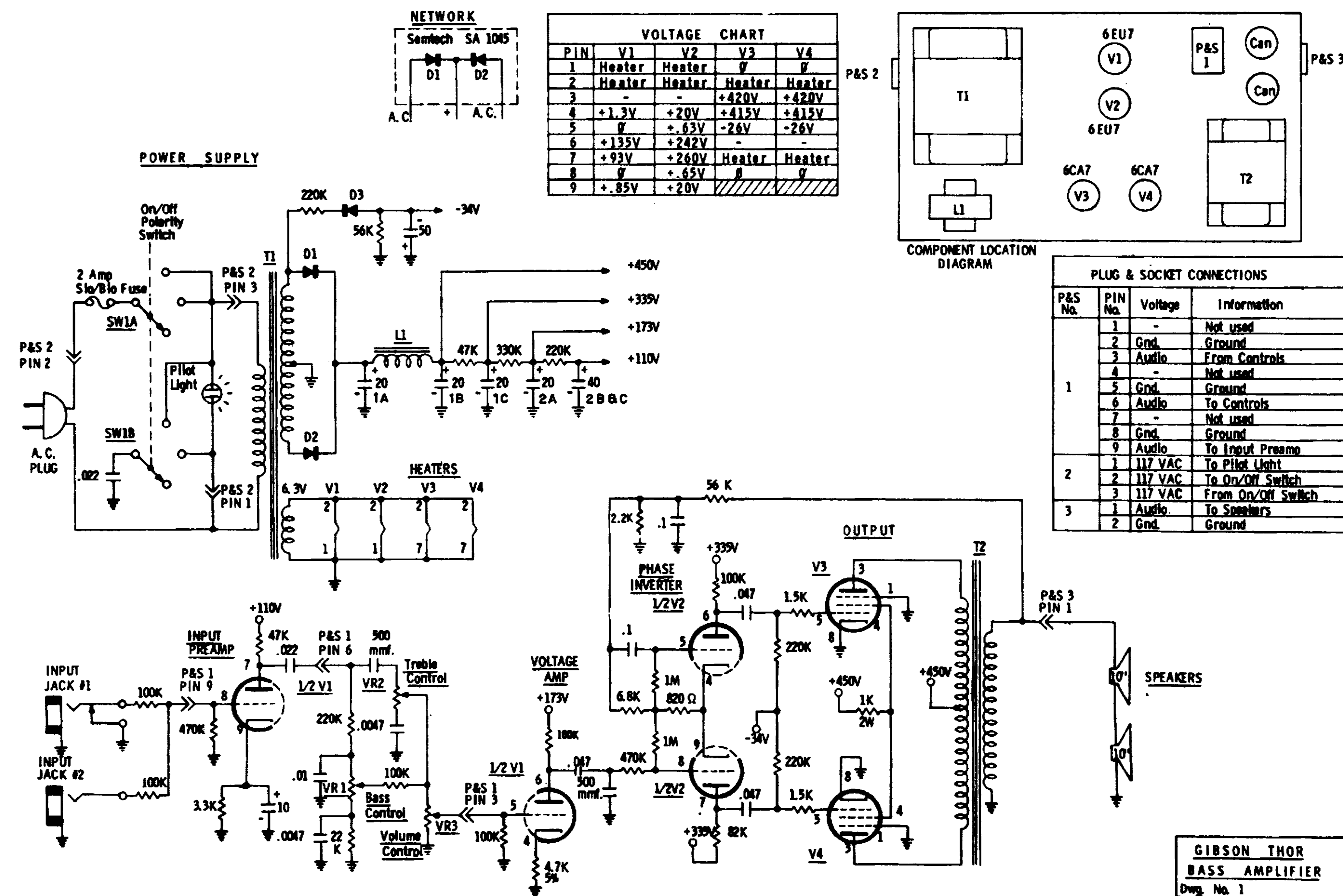
<u>Line in:</u>	123vAC
<u>After Thermistor:</u>	120vAC
<u>PT Secondary:</u>	730vAC
<u>Filament:</u>	6.7vAC
<u>B+1:</u>	483vDC
<u>B+2:</u>	482vDC
<u>B+3:</u>	353vDC
<u>B+4:</u>	164vDC
<u>B+5</u>	163vDC
<u>B+6</u>	104vDC
<u>Bias Supply Source:</u>	211vAC
<u>Bias Supply Rectified:</u>	-41vDC
<u>V3 Bias Current</u>	36mA
<u>V4 Bias Current</u>	37ma

Note: B+5 is a 1K resistor added to the junction of the Power Supply 330K/220K

Note: Bias Supply has been modified to be adjustable

THOR BASS-AMP

Gibson



PIN	V1	V2	V3	V4
1	Heater	Heater	0	0
2	Heater	Heater	+420V	+420V
3	-	-	+415V	+415V
4	+1.3V	+20V	-26V	-26V
5	0	+63V	-26V	-26V
6	+135V	+242V	-	-
7	+93V	+260V	Heater	Heater
8	0	+65V	0	0
9	+1.85V	+20V	0	0

P&S No.	PIN No.	Voltage	Information
1	1	-	Not used
	2	Gnd.	Ground
	3	Audio	From Controls
	4	-	Not used
	5	Gnd.	Ground
	6	Audio	To Controls
	7	-	Not used
	8	Gnd.	Ground
	9	Audio	To Input Preamp
2	1	117 VAC	To Pilot Light
	2	117 VAC	To On/Off Switch
	3	117 VAC	From On/Off Switch
3	1	Audio	To Speakers
	2	Gnd.	Ground

PARTS LIST

Part	Description	Schematic Reference	Part Number
Transformer	Power.....	T-1.....	954-003622
Transformer	Output.....	T-2.....	955-003623
Choke	L-1.....	956-003624
Diode	Dual Rectifier.....	D1-D2.....	919-012414
Diode	Rectifier.....	D3.....	919-003517
Switch	Polarity.....	SW-1A&B...	960-012430
Speakers	10".....	985-003631
Potentiometer	Volume Control 1 Meg-L.....	925-003525
Potentiometer	Bass Control 2 Meg-L.....	925-003529
Potentiometer	Treble Control 2 Meg-A.....	925-003559
Capacitor	Filter, 50 Mfd 50V.....	945-003627
Capacitor	Filter, 20-20-20-475V.....	C1 AB&C...	945-003626
Capacitor	Filter, 20-20-20-475V.....	C2 AB&C...	945-003626

GIBSON THOR
BASS AMPLIFIER
Desg. No. 1