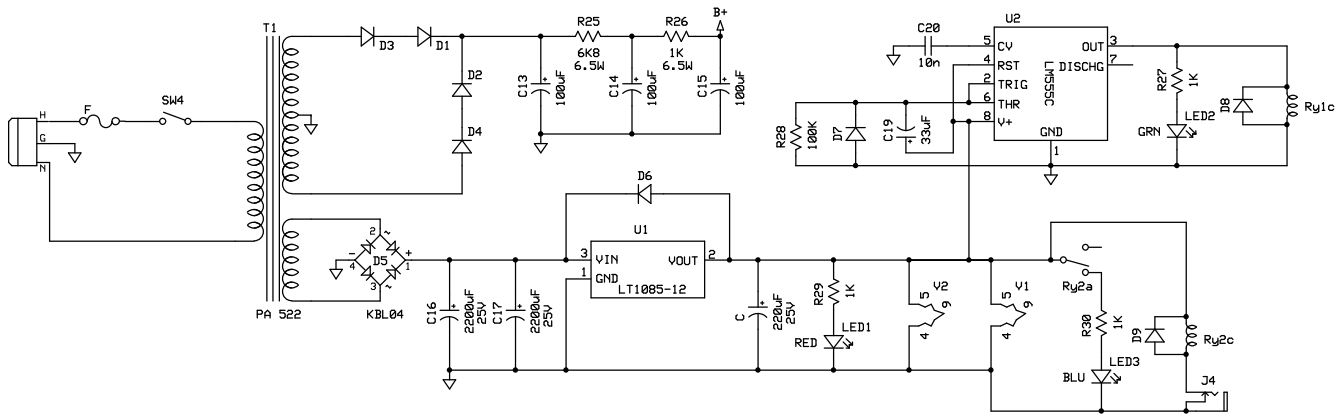


NOTES:
 All Coupling Capacitors are PPF rated @ 630V.
 All Resistors are 500mW RN65 U.O.M.
 All Resistors > 500mW are non-inductive, wire-wound.
 Sub. obsolete Peerless 15095A w/ Cinemag CM0-600
 Ry1 is for power on mute - approx. 30sec. delay.
 Ry2 is user selected mute.
 Ry2 state is Mute OFF if no Footswitch is plugged in J4.
 RED LED active = Power ON.
 GRN LED active = Power ON and READY.
 BLU LED active = Mute is OFF.



S.T.A.C.		
Kelsey Bass MkZ		
Smith/Mitcheltree	Rev 1.0 12/3/2014	Page 1