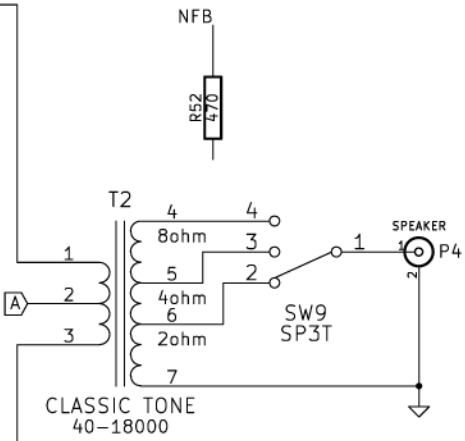
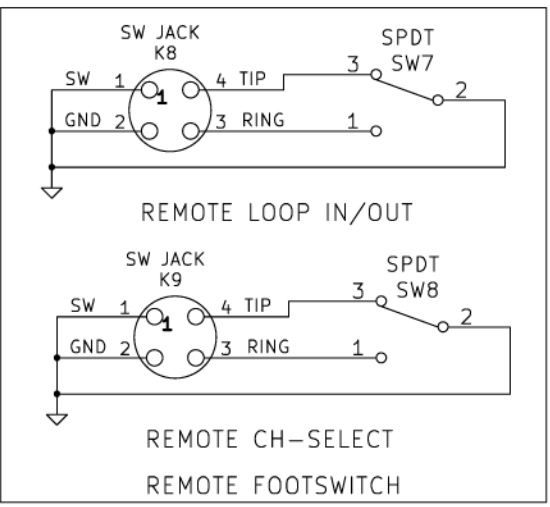
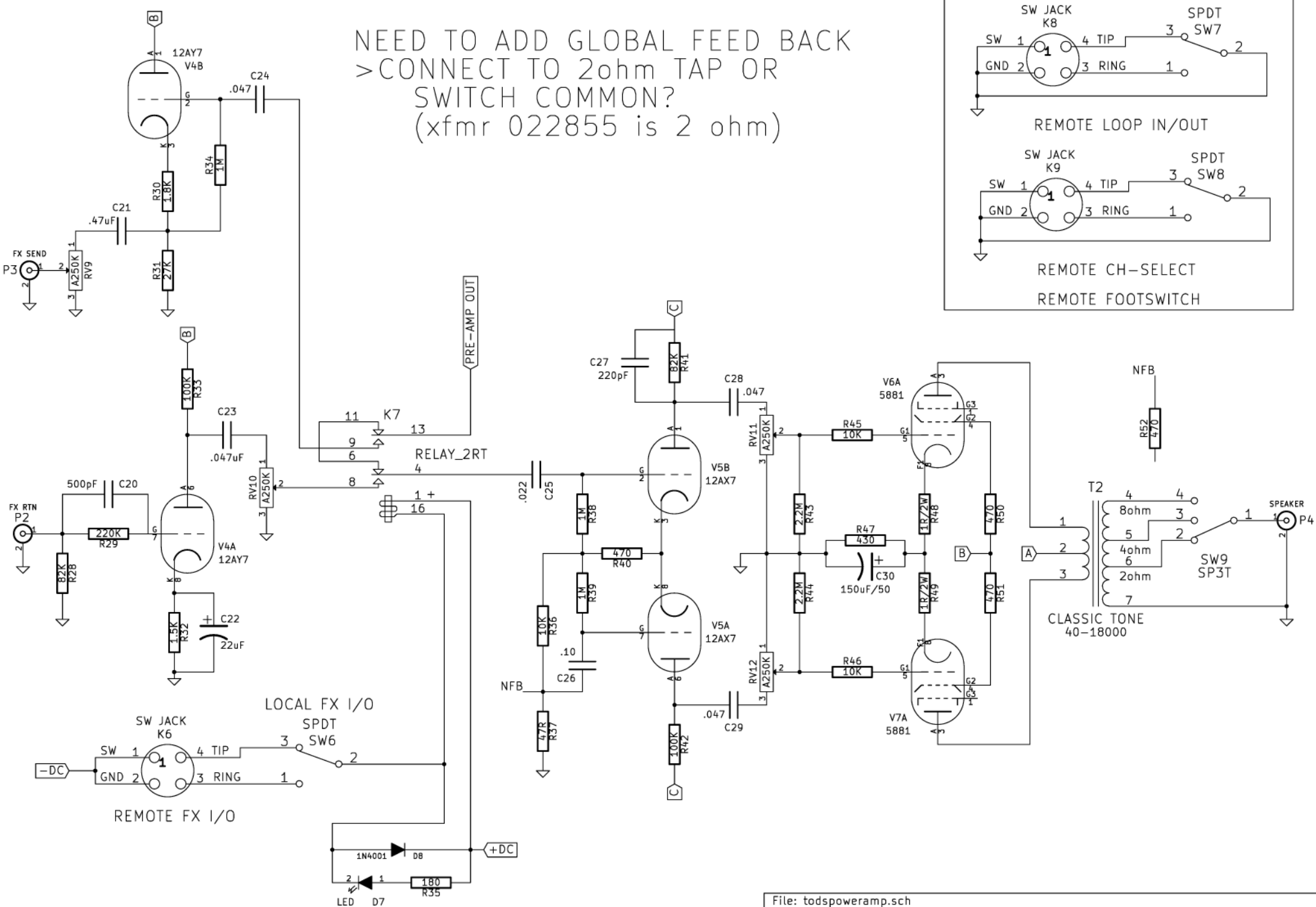


NEED TO ADD GLOBAL FEED BACK
 > CONNECT TO 2ohm TAP OR
 SWITCH COMMON?
 (xfmr 022855 is 2 ohm)



File: todspoweramp.sch		Rev: -	
Sheet: /TODS power amp/		Date: 20 jul 2015	
Title: McTODS		Id: 4/4	
Size: A	KiCad E.D.A. eeschema (2011-07-08 BZR 3044)-stable		