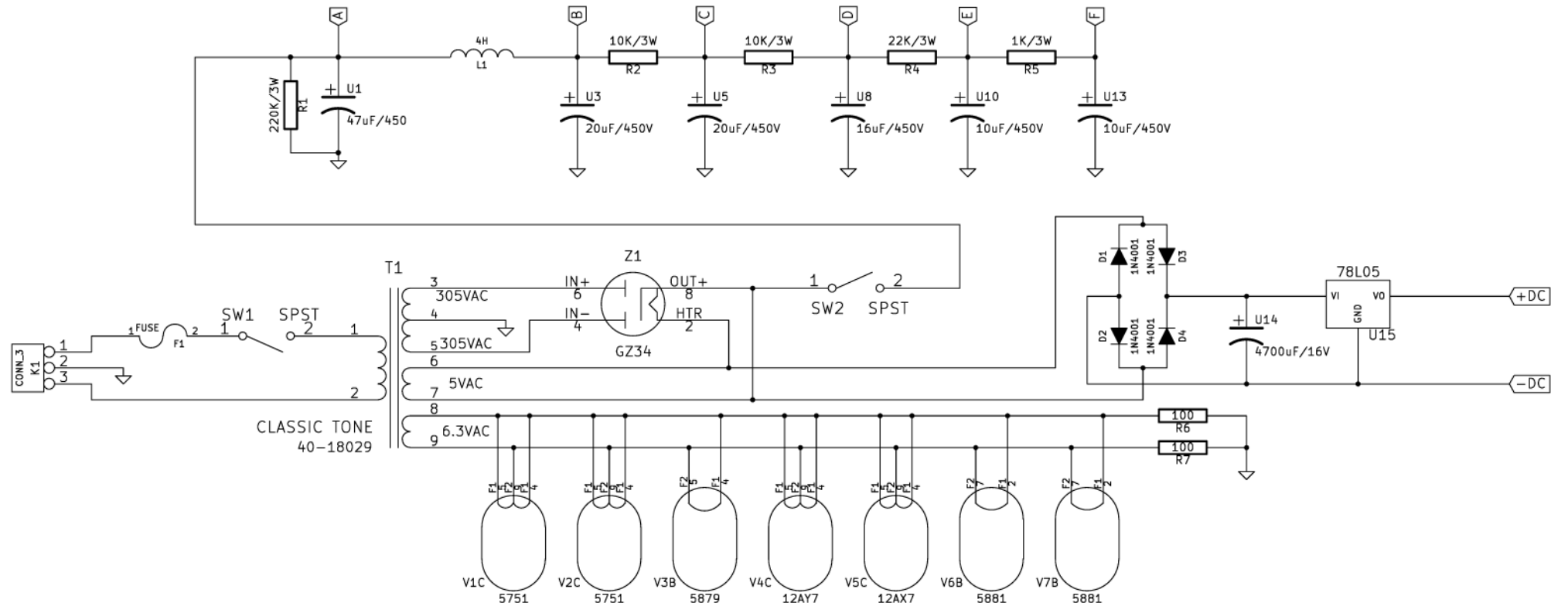


> WILL 305-0-305 XFMR REQUIRE COMPONENT VALUES TO CHANGE FOR BIAS???



File: todspowersupply.sch		
Sheet: /TODS power supply/		
Title: McTODS		
Size: A	Date: 20 jul 2015	Rev: -
KiCad E.D.A. eeschema (2011-07-08 BZR 3044)-stable		Id: 2/4