

TOROIDAL POWER TRANSFORMERS

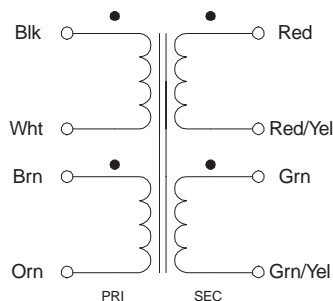
OPEN & POTTED TOROIDAL POWER TRANSFORMERS



- Dual 120/240 VAC primary, 50/60 Hz. operation & dual secondaries.
- Available in open (180 series) or potted (181 series) models.
- Center single hole mounting with hole clearance for #8 hardware. Open units supplied with two insulating washers and one metal centering washer.
- Minimum 8" long flexible leads.
- Regulation from 4.3% to 25%.
- Due to toroid design - no electrostatic shield required.
- Class A insulation (105 degrees C).
- Hi-Pot test of 2,500V RMS between primary & secondary.
- Max. ambient temp. is 55 degrees C for full ratings.

OPEN STYLE MOUNT			POTTED STYLE MOUNT			Size VA	Secondary (RMS)	
Cat. No.	Outside Dia.	Height	Cat. No.	Outside Dia.	Height		Series	Parallel
180 K12	2.38	1.38	181 K12	2.5	1.5	15	12.6V C.T. @ 1.19A	6.3V @ 2.38A
180 J16	2.38	1.38	181 J16	2.5	1.5	15	16V C.T. @ 940ma	8V @ 1.88A
180 H20	2.38	1.38	181 H20	2.5	1.5	15	20V C.T. @ 750ma	10V @ 1.5A
180 G30	2.38	1.38	181 G30	2.5	1.5	15	30V C.T. @ 500ma	15V @ 1A
180 L12	2.75	1.63	181 L12	3.00	1.75	30	12.6V C.T. @ 2.38A	6.3V @ 4.76A
180 L16	2.75	1.63	181 L16	3.00	1.75	30	16V C.T. @ 1.88A	8V @ 3.76A
180 K20	2.75	1.63	181 K20	3.00	1.75	30	20V C.T. @ 1.5A	10V @ 3A
180 K24	2.75	1.63	181 K24	3.00	1.75	30	24V C.T. @ 1.25A	12V @ 2.5A
180 J30	2.75	1.63	181 J30	3.00	1.75	30	30V C.T. @ 1A	15V @ 2A
180 H40	2.75	1.63	181 H40	3.00	1.75	30	40V C.T. @ 750ma	20V @ 1.5A
180 M16	3.13	1.63	181 M16	3.38	1.75	50	16V C.T. @ 3.13A	8V @ 6.26A
180 M20	3.13	1.63	181 M20	3.38	1.75	50	20V C.T. @ 2.5A	10V @ 5A
180 L24	3.13	1.63	181 L24	3.38	1.75	50	24V C.T. @ 2.1A	12V @ 4.2A
180 K30	3.13	1.63	181 K30	3.38	1.75	50	30V C.T. @ 1.67A	15V @ 3.34A
180 K40	3.13	1.63	181 K40	3.38	1.75	50	40V C.T. @ 1.25A	20V @ 2.5A
180 J50	3.13	1.63	181 J50	3.38	1.75	50	50V C.T. @ 1A	25V @ 2A
180 N20	3.50	1.88	181 N20	3.63	2.0	90	20V C.T. @ 4.5A	10V @ 9A
180 N24	3.50	1.88	181 N24	3.63	2.0	90	24V C.T. @ 3.75A	12V @ 7.5A
180 M30	3.50	1.88	181 M30	3.63	2.0	90	30V C.T. @ 3A	15V @ 6A
180 L40	3.50	1.88	181 L40	3.63	2.0	90	40V C.T. @ 2.25A	20V @ 4.5A
180 K50	3.50	1.88	181 K50	3.63	2.0	90	50V C.T. @ 1.8A	25V @ 3.6A
180 J70	3.50	1.88	181 J70	3.63	2.0	90	70V C.T. @ 1.29A	35V @ 2.58A
180F240	3.50	1.88	181 F240	3.63	2.0	90	240V C.T. @ 380ma	120V @ 760ma
180 P24	4.00	2.25				120	24V C.T. @ 5A	12V @ 10A
180 N30	4.00	2.25				120	30V C.T. @ 4A	15V @ 8A
180 M40	4.00	2.25				120	40V C.T. @ 3A	20V @ 6A
180 L50	4.00	2.25				120	50V C.T. @ 2.4A	25V @ 4.8A
180 K70	4.00	2.25				120	70V C.T. @ 1.7A	35V @ 3.4A
180 G240	4.00	2.25				120	240V C.T. @ 500ma	120V @ 1A
180 N40	4.20	2.25				160	40V C.T. @ 4A	20V @ 8A
180 M50	4.20	2.25				160	50V C.T. @ 3.2A	25V @ 6.4A
180 L70	4.20	2.25				160	70V C.T. @ 2.29A	35V @ 4.58A
180 H240	4.20	2.25				160	240V C.T. @ 670ma	120V @ 1.34A
180 Q40	4.63	2.50				225	40V C.T. @ 5.63A	20V @ 11.26A
180 P50	4.63	2.50				225	50V C.T. @ 4.5A	25V @ 9A
180 M70	4.63	2.50				225	70V C.T. @ 3.2A	35V @ 6.4A
180 J240	4.63	2.50				225	240V C.T. @ 940ma	120V @ 1.88A
180 Q50	5.00	2.63				300	50V C.T. @ 6A	25V @ 12A
180 N70	5.00	2.63				300	70V C.T. @ 4.29A	35V @ 8.58A
180 M90	5.00	2.63				300	90V C.T. @ 3.33A	45V @ 6.66A
180 R56	5.75	3.00				500	56V C.T. @ 8.93A	28V @ 17.86A
180 Q70	5.75	3.00				500	70V C.T. @ 7.14A	35V @ 14.28A
180 P90	5.75	3.00				500	90V C.T. @ 5.56A	45V @ 11.12A
180 N110	5.75	3.00				500	110V C.T. @ 4.55A	55V @ 9.1A

Transformer Schematic



394 Edinburgh Rd., North, Guelph, Ontario N1H 1E5

Phone (519) 822-2960, FAX (519) 822-0715

4700 Genesee St., Cheektowaga, NY 14225

Phone (716) 631-5700, FAX (716) 631-1156

CANADA

USA



HAMMOND
MANUFACTURING™

© 1997