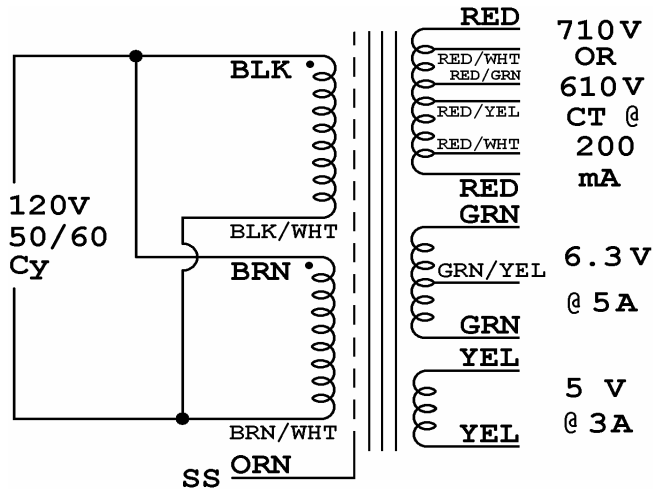


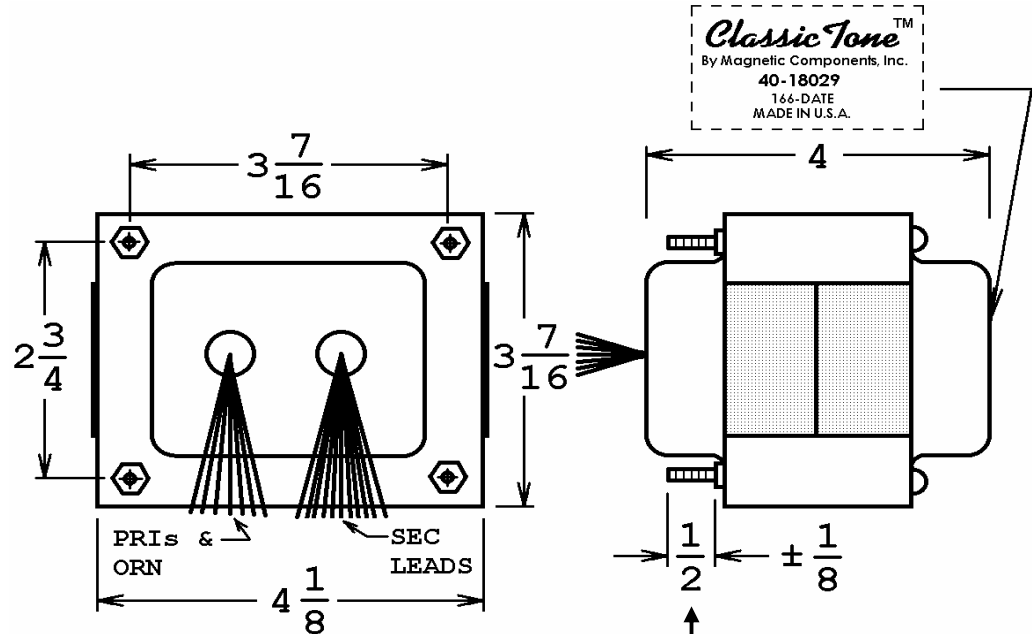
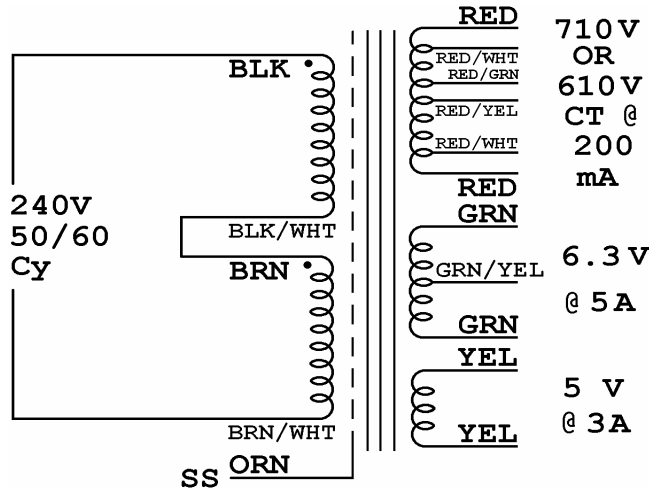
REVISIONS

LTR	DESCRIPTION	DATE	APPROVED
D	ADD MOUNTING HARDWARE NOTE, BIAS & CT VOLTAGES	10/27/11	M. Sacketti
E	ADD B+ VOLTAGES TABLE	11/03/11	M. Sacketti
F	REMOVE THERMAL CUTOUT	03/07/12	M. Sacketti

120V CONNECTIONS



240V CONNECTIONS



USE FOUR # 8-32 HEX NUTS (NOT SUPPLIED) FOR CHASSIS MOUNTING. PLEASE DO NOT REMOVE EXISTING HEX NUTS.

PLATE WINDING :

355V-0-355V (710V CT) RED-RED/YEL-RED OR (SEE TABLE FOR B+ VOLTS)

OR 305V-0-305V (610V CT) RED/WHT-RED/YEL-RED/WHT (SEE TABLE FOR B+ VOLTS)

BIAS : RED/GRN-RED/YEL = 50V
GROUND ORN LEAD TO CHASSIS

MEASURED B+ @ 200mA DC LOAD, 40µF CAPACITOR

TAPS	RECT.	B+
RED	5U4GB	373V DC
RED	5AR4	422V DC
R/W	5U4GB	297V DC
R/W	5AR4	344V DC

UNLESS OTHERWISE SPECIFIED	
ALL DIMENSIONS IN INCHES DO NOT SCALE DRAWING	
FRACTIONS +/-	
.X = +/-	
.XX = +/-	
.XXX = +/-	
ANGLES = +/-	

SIGNATURES	DATE
DRAWN : <i>M. Sacketti</i>	16 APR 09
CHECK :	
APPR : <i>M. Sacketti</i>	16 APR 09

MAGNETIC COMPONENTS, INC.		DIV :	
TITLE		LOC : SCHILLER PK	
POWER TRANSFORMER			
CAGE	50508	SIZE	PART No.
SCALE	NONE	A	40-18029
			SHEET :