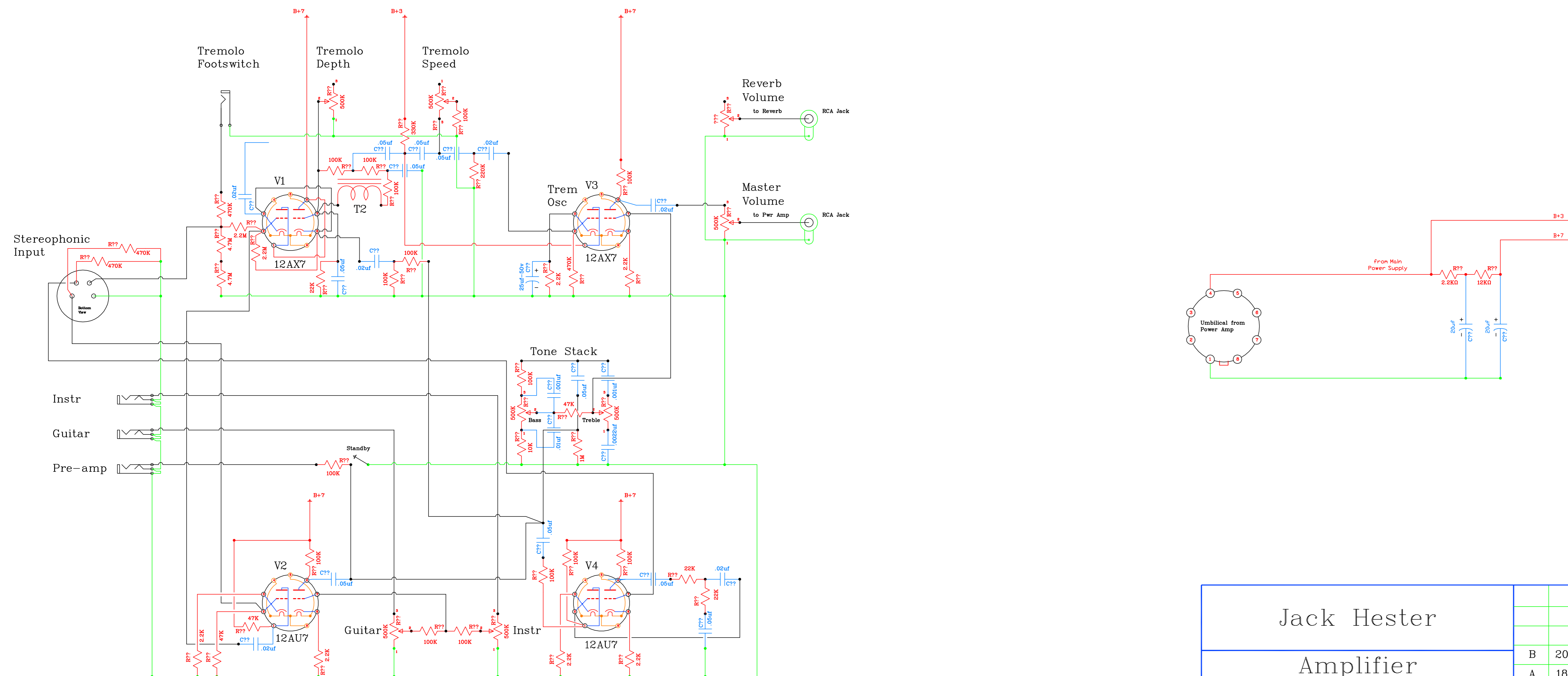
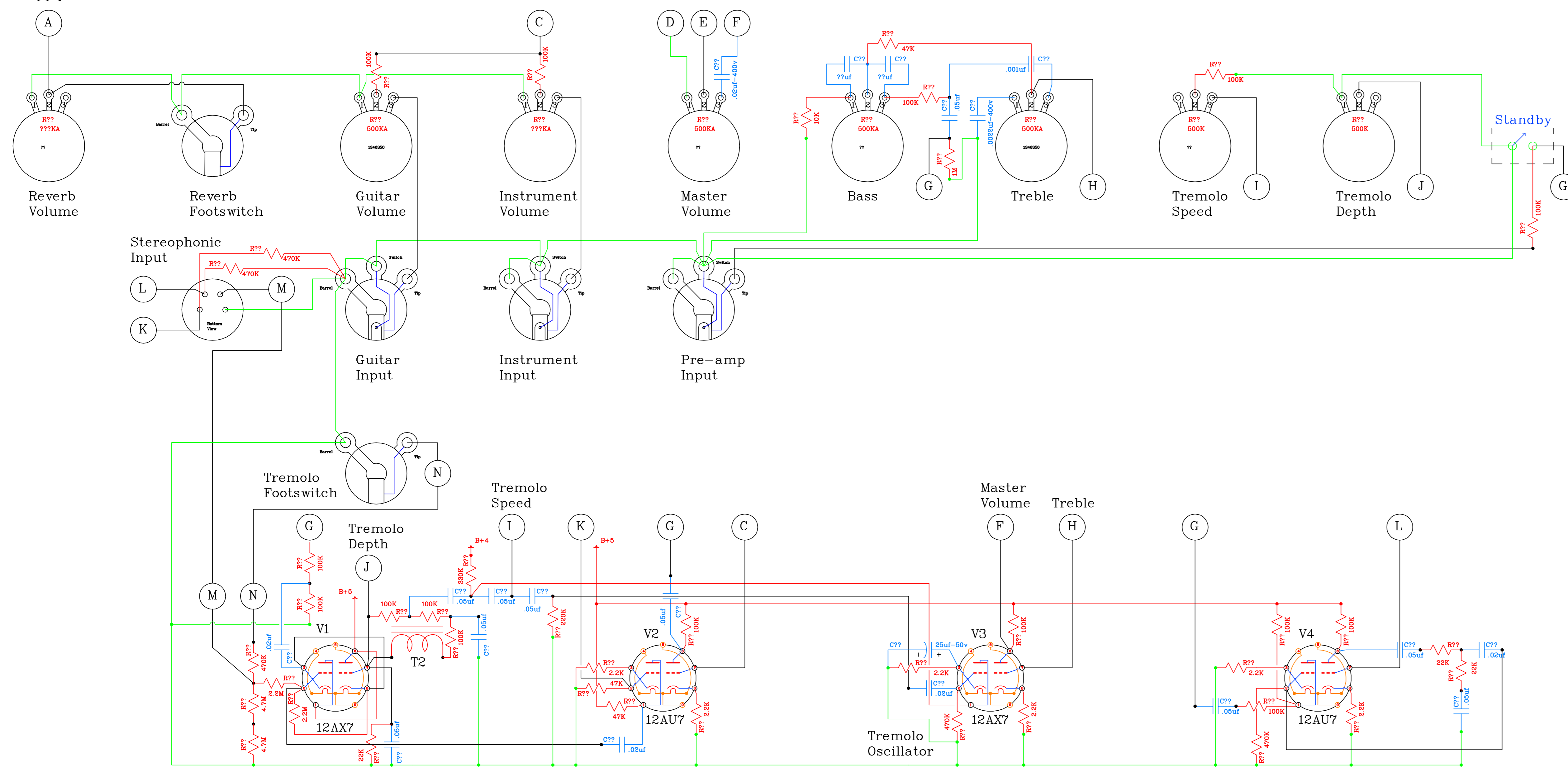


Shielded Cable to Pwr Supply Chassis



Jack Hester							Sano		
Amplifier Drawings							Supersonic High Fidelity Amplifier		
							50WR		
REV	DATE	DRWN BY	CHKD BY	APPD BY	DESCRIPTION	PROJECT NUMBER	VENDOR/CLIENT DWG. NO.	REV.	
B	20Sep15	AJH			Redraw	001	50WR	B	
A	18Apr15	AJH			Initial CAD				

