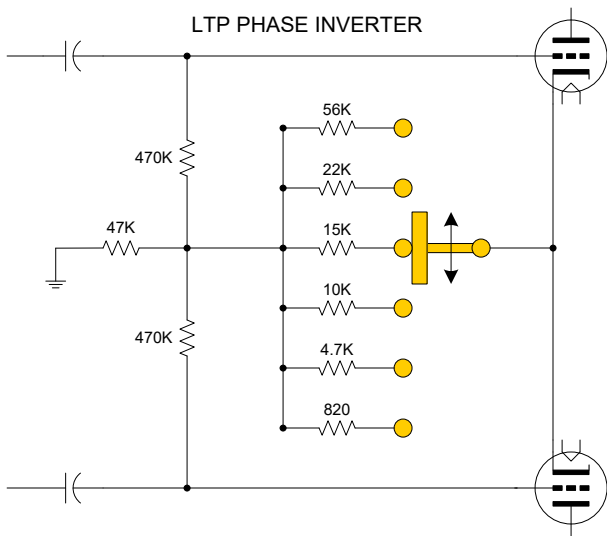
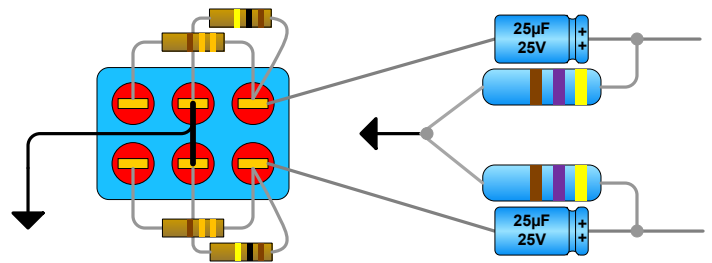
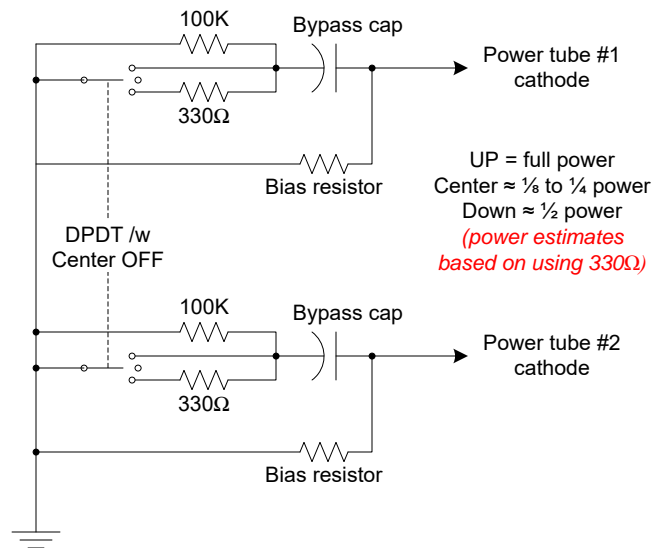


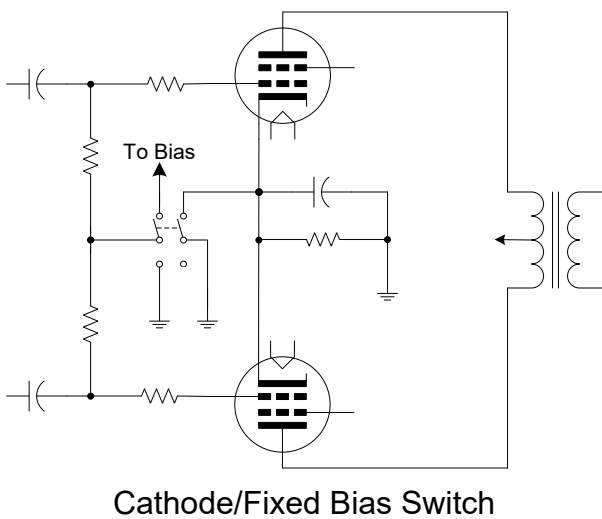
Power Switching Schemes



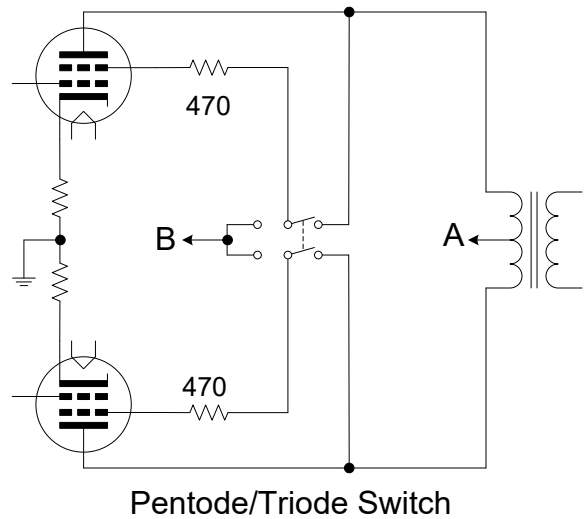
Marshall 18 Watt Power Dampening Switch
(can be adapted to other LTP phase inverters)



Da Geezer's Bypass Cap attenuator
(Bias resistor value will be 2X the value of a single bias resistor)



Cathode/Fixed Bias Switch



Pentode/Triode Switch