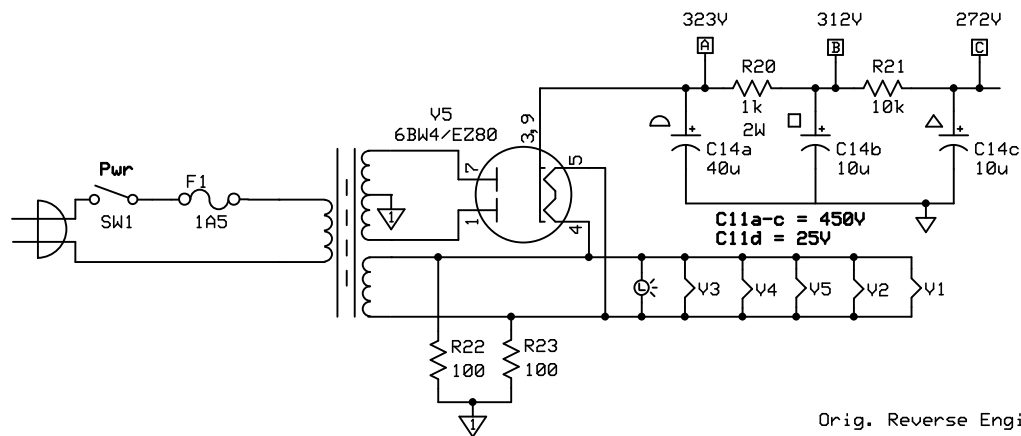


**Notes:**  
 All Resistors 1/2W UON  
 All Capacitors 400V UON



Orig. Reverse Engineered By:  
 H. Mitcheltree

S.T.A.C.		
Bogen K10 - Hacked		
	Rev 1.3 8/7/2009	Boom!