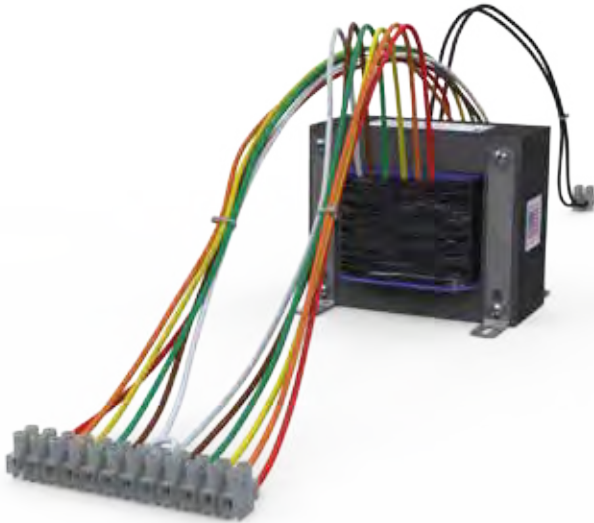


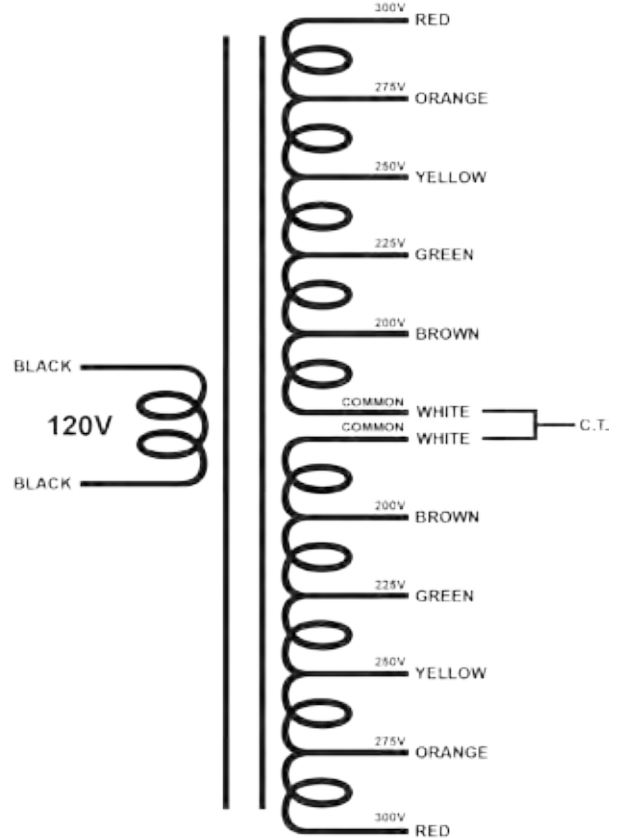
TBPWR Series

TINKER BOX TRANSFORMERS

TBPWR-HV1-120



Power transformer for a 120V, 60Hz. line to a multi tapped 600V (300-275-250-225-200-0 0-200-225-250-275-300) at 400mA center tapped.



Design

Mathematically designed to produce the specified voltage(s) when loaded.

Primary (Input)

Designed for 120V, 60Hz.

Secondary (Output)

This transformer has multiple voltage windings, 600V (300-275-250-225-200-0 0-200-225-250-275-300) at 400mA with a center tap.

Magnet Wire

All units are wound with the finest virgin copper magnet wire. All windings use heavy insulated wire to provide excellent manufacturing yield, lower customer cost and superior life.

The Core

EDCOR uses the finest M6 line grain oriented steel cores. Each unit is hand stacked to assure at least 92% stack.

The Bobbins

EDCOR's royal blue bobbin with black finishing tape.

Termination

The terminations are Molex two-screw terminal strips.

Mounting

This unit comes with zinc plated steel brackets for mounting with the use of four screws.

Specifications

Primary (input) Voltage	120Vrms, 60Hz.
Secondary (output) Voltage	600V(300-275-250-225-200-0 0-200-225-250-275-300)@400mA
Bobbin Material	Glass Filled Nylon 6/6
Flamability Rating	Class B 130°C
Core Material	M6 29 ga. line grain oriented steel
Termination	Screw Terminal Strips
Mounting	Zinc plated steel brackets
Weight	10 lbs.
Dimensional Drawing	15000-EI150-200-02
Compliance	RoHS, REACH



Electronics Corporation

edcorusa.com