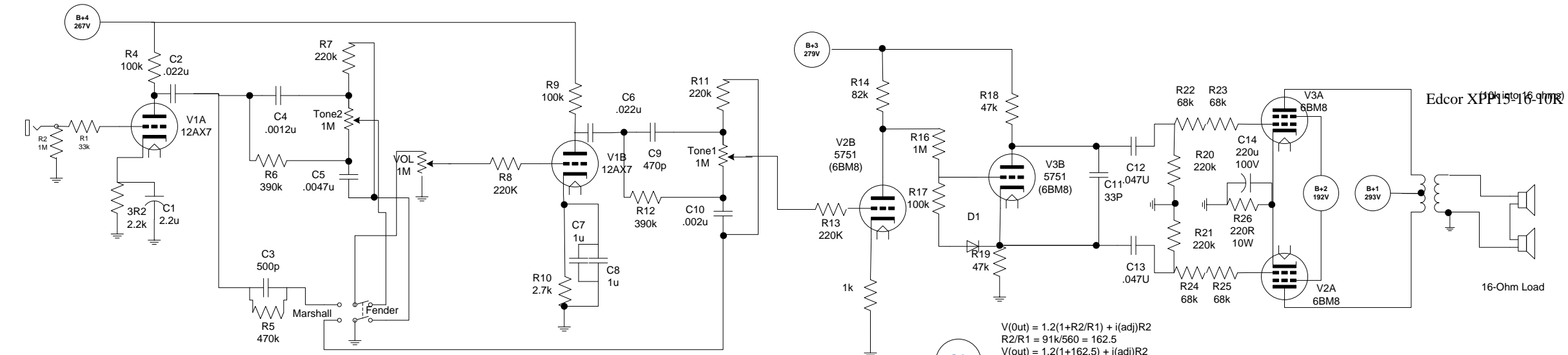
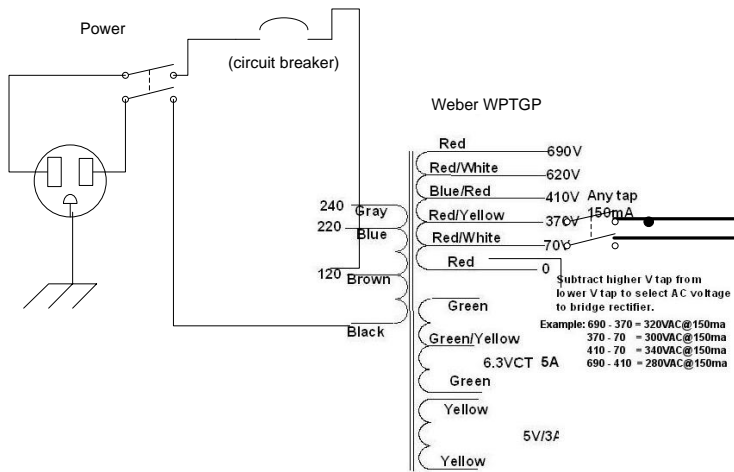


Power Lunch



$$\begin{aligned}
 V(\text{out}) &= 1.2(1+R2/R1) + i(\text{adj})R2 \\
 R2/R1 &= 91k/560 = 162.5 \\
 V(\text{out}) &= 1.2(1+162.5) + i(\text{adj})R2 \\
 &= 196.2 + i(\text{adj})R2 \\
 &= 196.2 + 10\mu\text{A} * 91k \\
 &= 196.2 + 0.91 \\
 &= 197.11 \text{ V}
 \end{aligned}$$



(c) Copyright 2014-2015
 by J.P. Befumo
 Unauthorized Usage
 Prohibited
 Some components may
 be additionally protected
 by Patent by the Author

