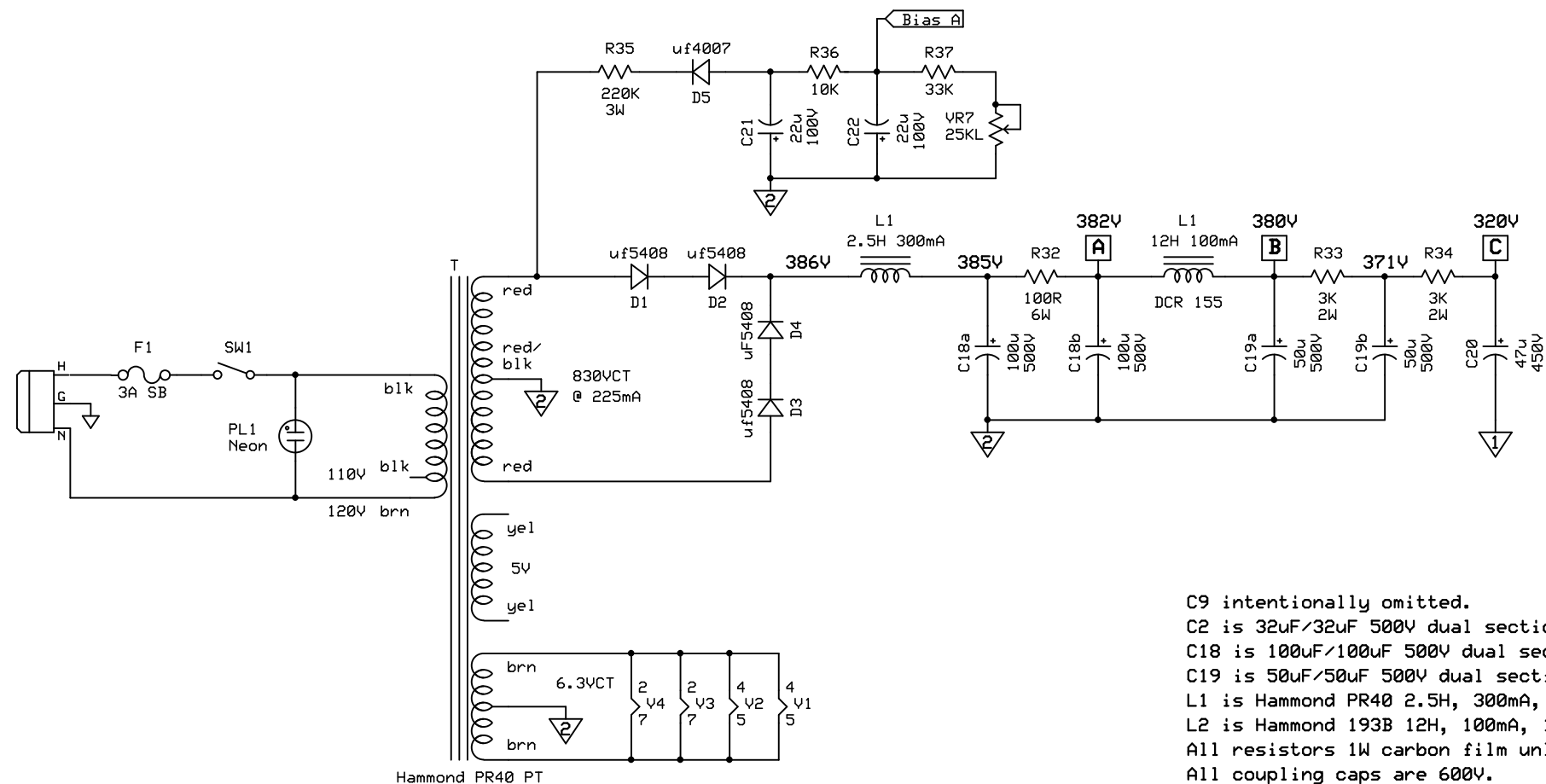


Tube Voltage Chart

	V1	V2	V3	V4	V5
1	240	280	205	38mV	36mV
2	g1	g1	g1	fil	fil
3	2.7	146	37.7	380	380
4	fil	fil	fil	371	371
5	fil	fil	fil	g1	g1
6	192	144	212	n/c	n/c
7	g1	g1	g1	fil	fil
8	1.7	1.1	37.7	38mV	36mV
9	fil	fil	fil	n/a	n/a

Measuremnts with -33.7V bias



Rev1 -> Rev1A 1/9/2014
From 2 x 5AR4 to SSR.

C9 intentionally omitted.
C2 is 32uF/32uF 500V dual section 1.375" can.
C18 is 100uF/100uF 500V dual section 1.375" can.
C19 is 50uF/50uF 500V dual section 1.375" can.
L1 is Hammond PR40 2.5H, 300mA, 39DCR.
L2 is Hammond 193B 12H, 100mA, 155DCR.
All resistors 1W carbon film unless otherwise noted.
All coupling caps are 600V.
Voltage readings with Fluke Type 87 DMM @ 120VAC mains.

S.T.A.C.		
Hammond PR40 2204		
P. Mitcheltree	Rev 1A 1/9/2016	Page 1 of 1