

PORTAFLEX

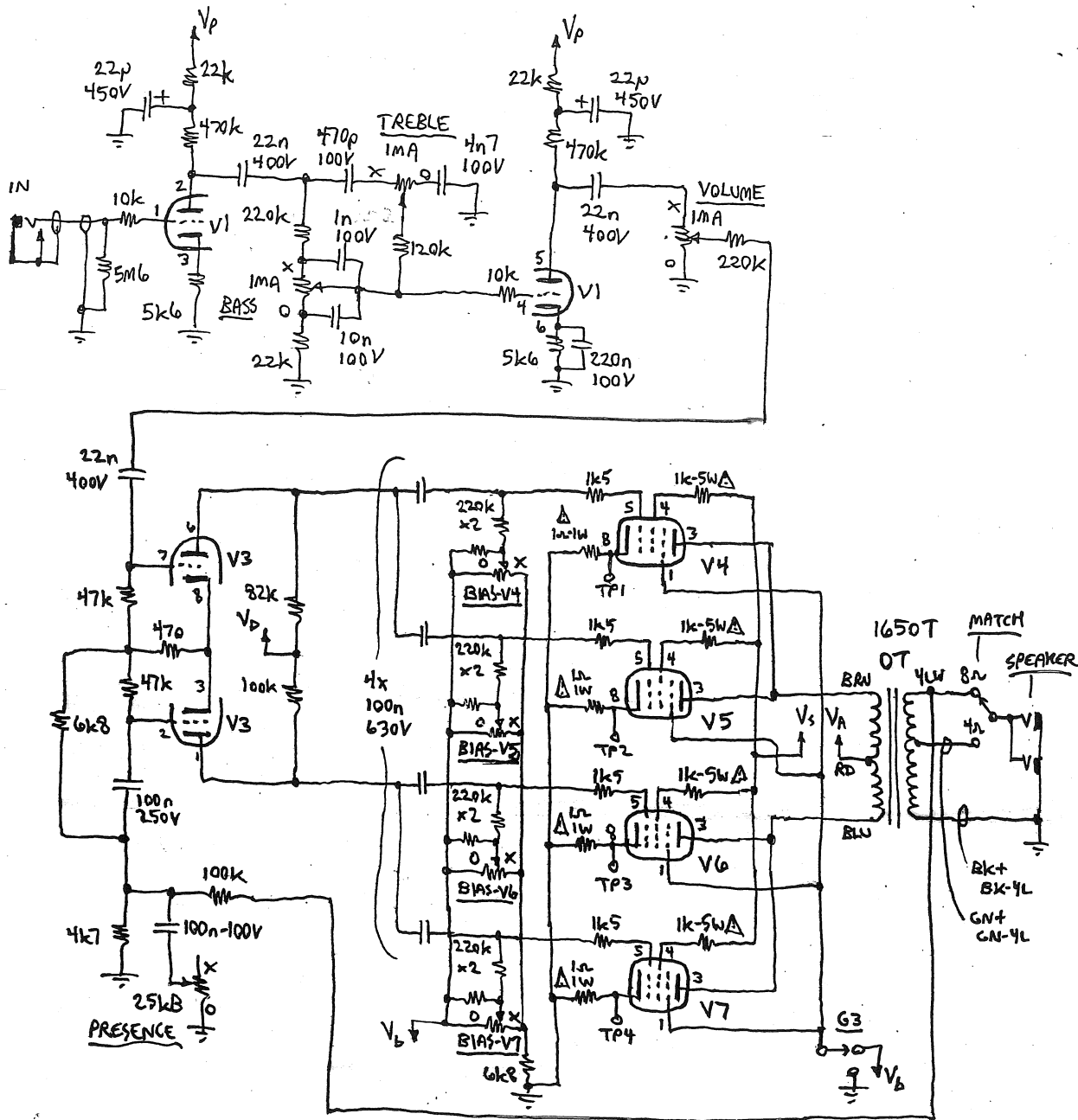


Fig. 14-5: Custom Special Schematic with Amendments