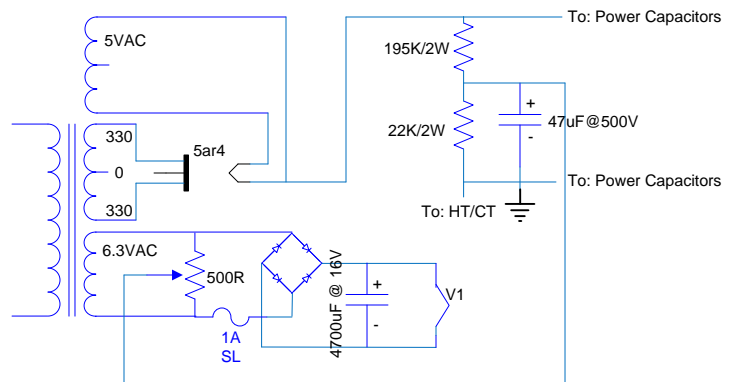


Heater Supply Schematic Humdinger Pot, Elevating Heater Supply to DC Voltage & Running 1st Preamp Tube on DC



Note: This schematic includes only V1. V2-7 would be between the 500R wire wound pot and the bridge diode.