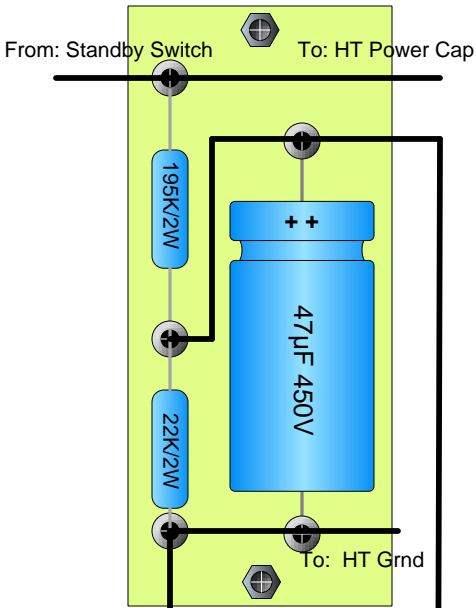


# Heater Supply Layout

## Elevated Heater Supply into a Humdingler Pot



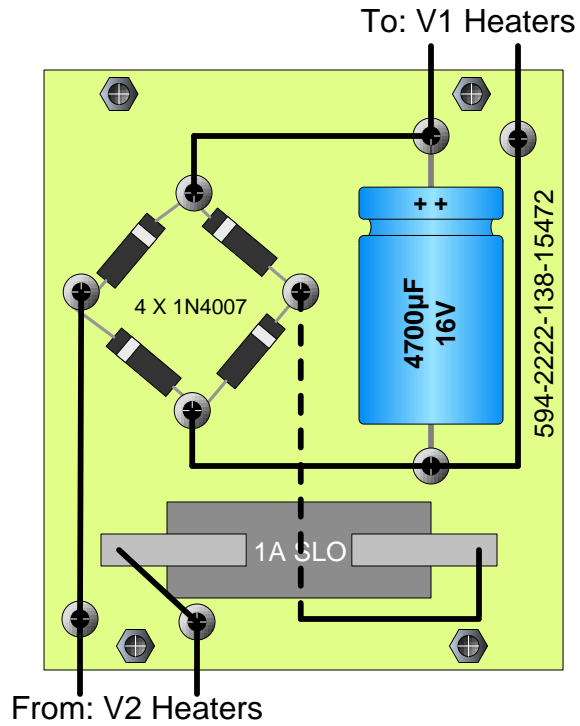
To: Power Chassis Ground

From: PT Heater Supply  
To: Lamp and Tube Heaters



Mouser: P/N 774-026TB32R251B1A1

## Converting V1 Heaters to DC Voltage



To: V1 Heaters

From: V2 Heaters