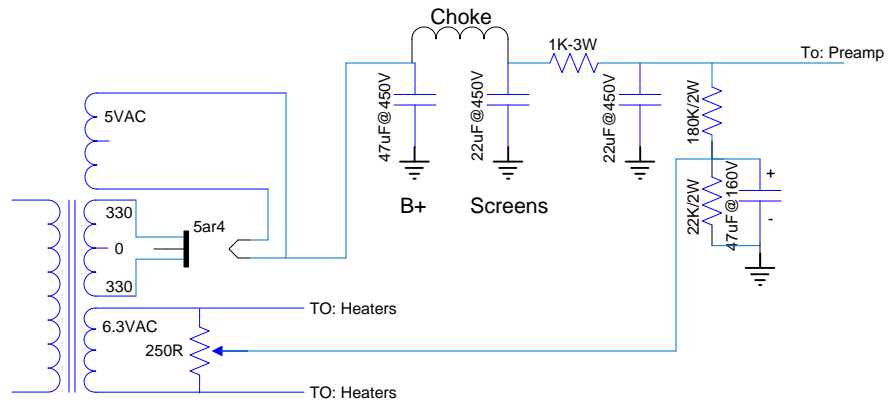


Heater Supply Schematic Humdinger Pot, Elevating Heater Supply to DC Voltage



Note: This schematic excludes main AC and standby switches. It's purpose is solely to show how a Humdinger and DC supply is wired to the heater supply.