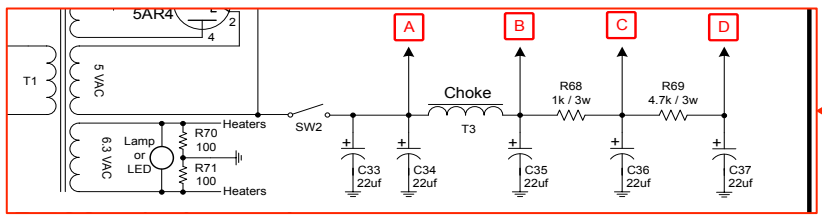
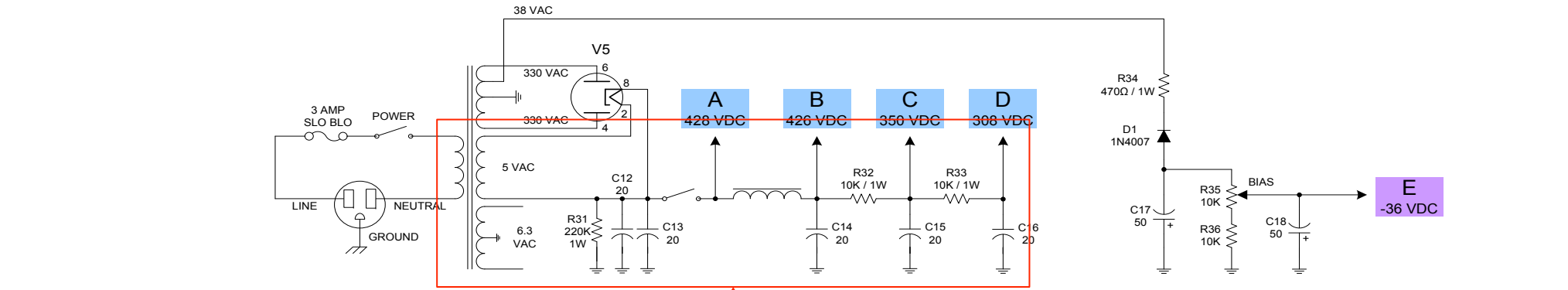
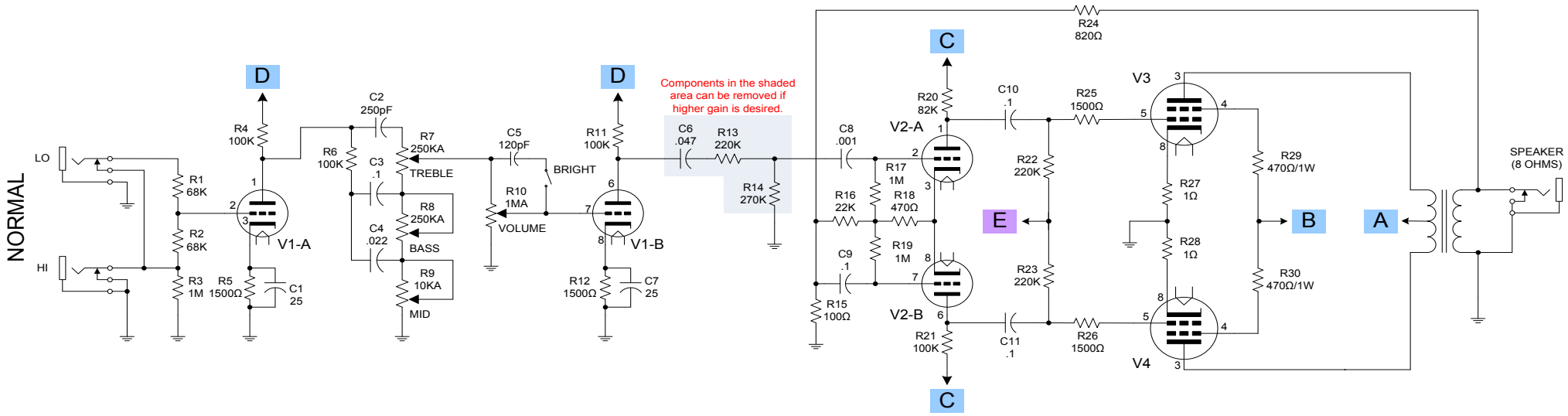


AB763 DELUXE LITE drawn by Steve Luckey. (2007)

Schematic is based on Fender Deluxe Reverb AB763 circuit.



AB763 single channel D. Hoffman different from sluckeys version? (standby-sw before or between the filter caps?)

