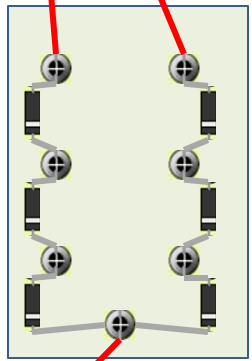


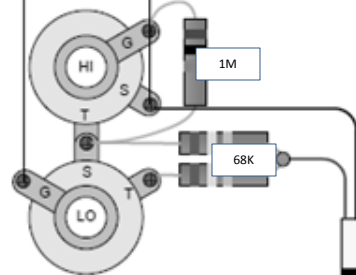
330 VAC from PT



Gnd 3



To "A"

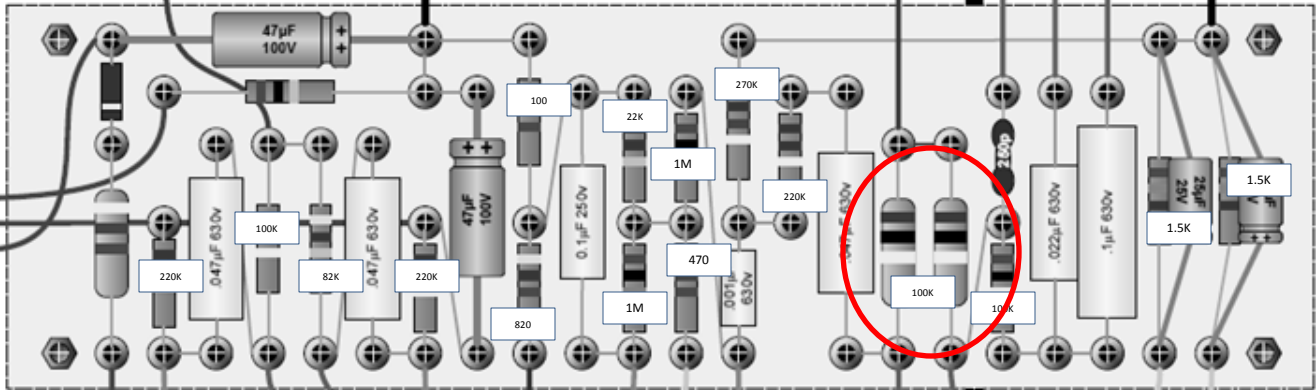


B+ "C"

Gnd 2

B+ "D"

Gnd 1

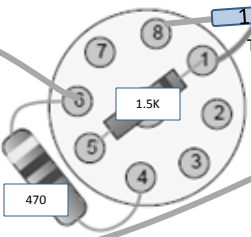


Is this "E" on schematic?

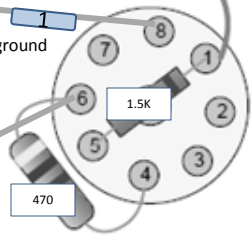
To blue "bias supply" wire from PT Bias tap

To "power" ground

To "B"



V4 - 6V6



V3 - 6V6

NFB

V2 - 12AT7

V1 - 12AX7

AB763 DELUXE LITE drawn by Steve Luckey. (2007)
 Schematic is based on Fender Deluxe Reverb AB763 circuit.

