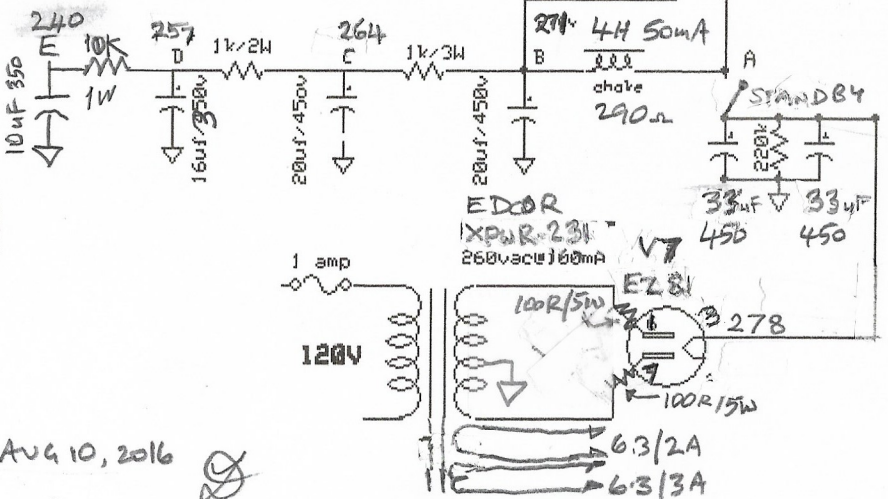
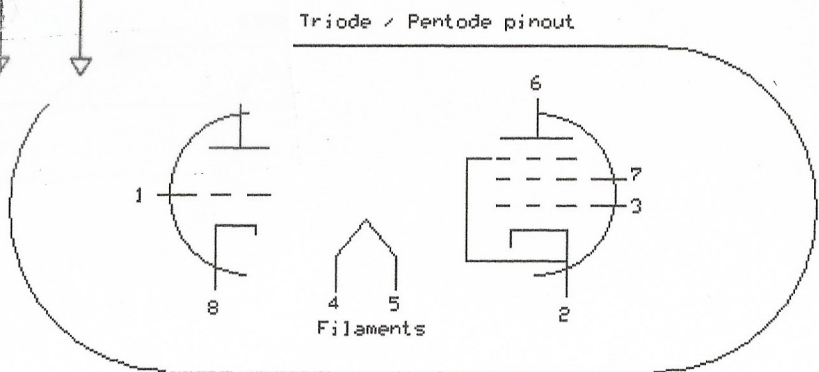
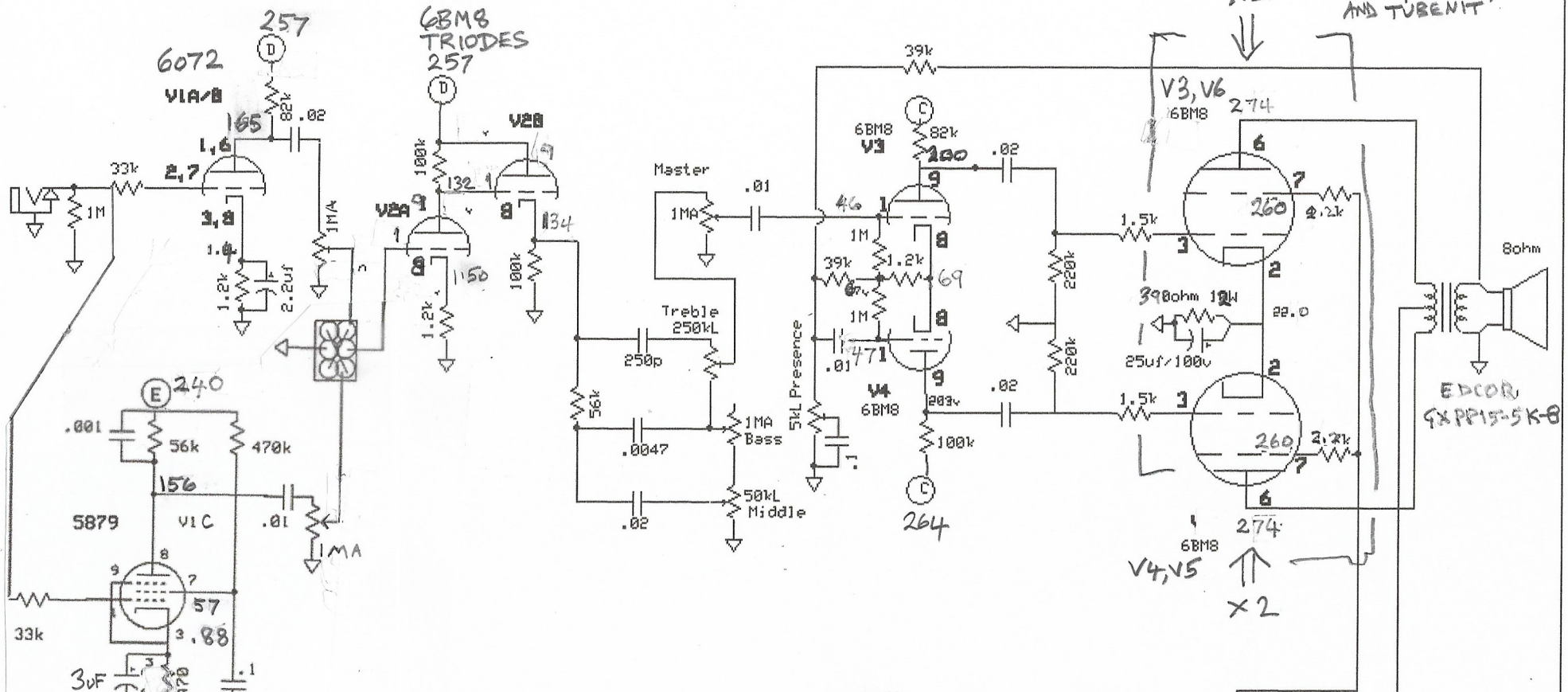


# 4 x 6BM8 / 15watt "Mini Bassman" project (WITH APOLOGIES TO GEEZER AND TUBENIT)



AS BUILT AUG 10, 2016