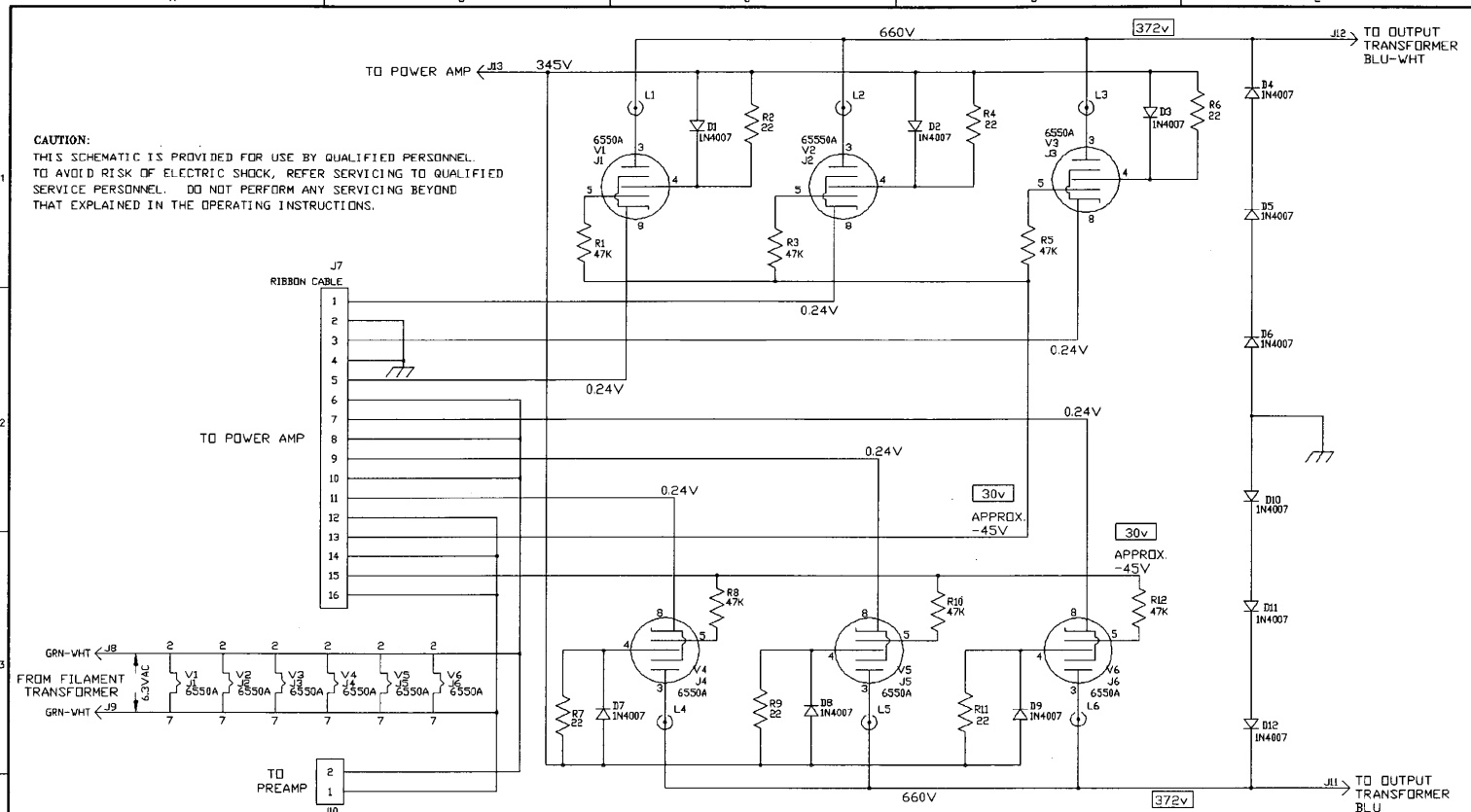


# SVT-2 PRO TUB BD

# Ampeg



**CAUTION:**  
THIS SCHEMATIC IS PROVIDED FOR USE BY QUALIFIED PERSONNEL TO AVOID RISK OF ELECTRIC SHOCK, REFER SERVICING TO QUALIFIED SERVICE PERSONNEL. DO NOT PERFORM ANY SERVICING BEYOND THAT EXPLAINED IN THE OPERATING INSTRUCTIONS.

**NOTES**

- 1) CAUTION: SHOCK HAZARD!  
THIS UNIT CONTAINS HAZARDOUS VOLTAGE. DISCONNECT POWER AND BE SURE POWER SUPPLY IS DISCHARGED BEFORE TOUCHING INTERNAL PARTS.
- 2) UNLESS NOTED, RESISTOR VALUES IN OHMS, 1/4W-5% TOL. CAPACITOR VALUES IN MICROFARADS, 50V-10% TOL.
- 3) VOLTAGES ARE MEASURED WITH 1 MEGOHM OSCILLOSCOPE AND 10 MEGOHM DIGITAL VOLTMETER. VOLTAGES IN RECTANGLES ARE RMS SIGNAL VOLTAGES WITH FULL POWER OUTPUT. OTHER VOLTAGES ARE DC WITH NO SIGNAL.

3	08/30/96	LMA	UPDATED REV TO REFLECT PIC CHANGE E960333
2	05/16/94	LMA	REV CHG TO REFLECT JUMPER CHG PER E150
1			
REV	DATE	BY	CHK'D
SIGNATURES:		DATE:	11880 BORMAN DR. ST. LOUIS, MISSOURI 63148
DRAWN:	SWR	03/02/93	
CHK'D:			PROJECT NAME: SVT-2 PRO
APP'D:			DRAWING NAME: TUBE Bd. SCHEMATIC
ORIGINAL ISSUED:			DRAWING NO. 07S419-41
PLOT DATE:	09/03/96		SCALE: 1:1
PLOT TIME:	07:16:59		SHEET: 1 OF 1
FILE NAME:	41941h3z		