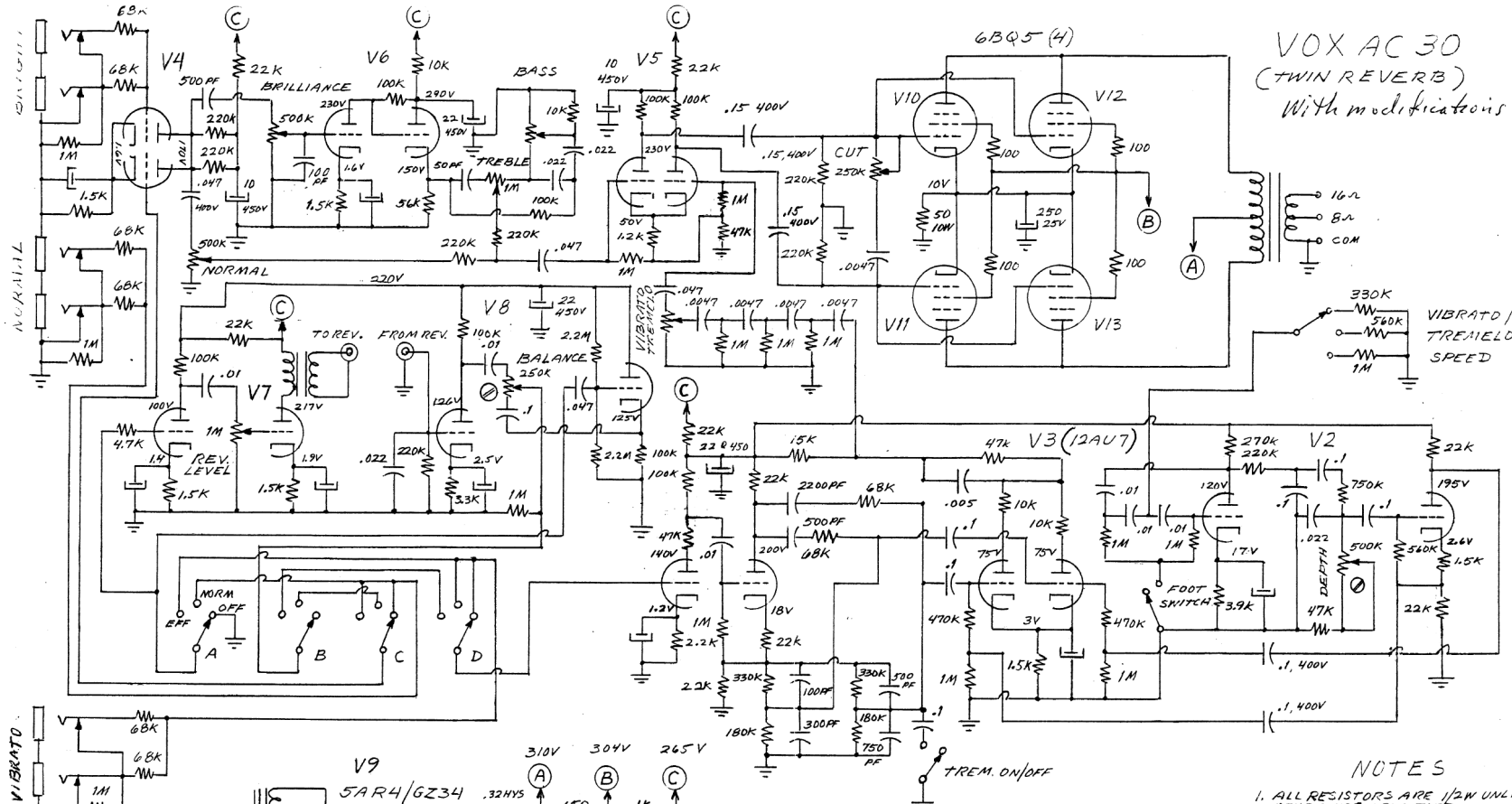


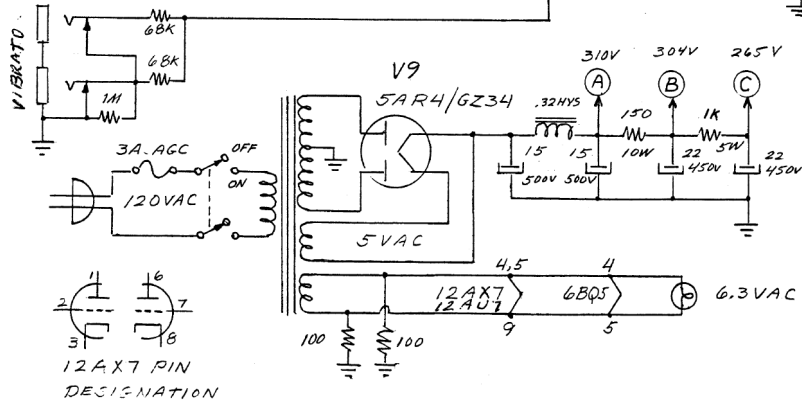
# AC30 TWIN REVERB (W/MOD)

Vox

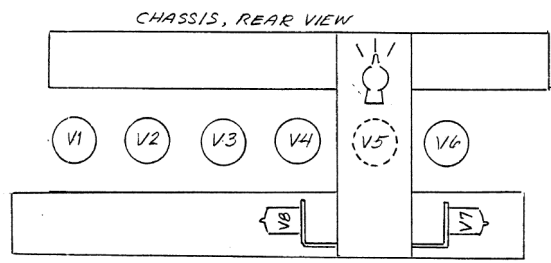


VOX AC 30  
(TWIN REVERB)  
With modifications

- NOTES
1. ALL RESISTORS ARE 1/2W UNLESS OTHERWISE SPECIFIED.
  2. ALL CAPACITOR VALUES ARE IN MF UNLESS OTHERWISE NOTED.
  3. TUBES V1, V2 AND V4 - V8 : 12AX7.
  4. ALL CATHODE BYPASS CAPACITORS ARE 25µF AT 25V UNLESS NOTED.



12AX7 PIN DESIGNATION



Music II  
4/10, 4/11