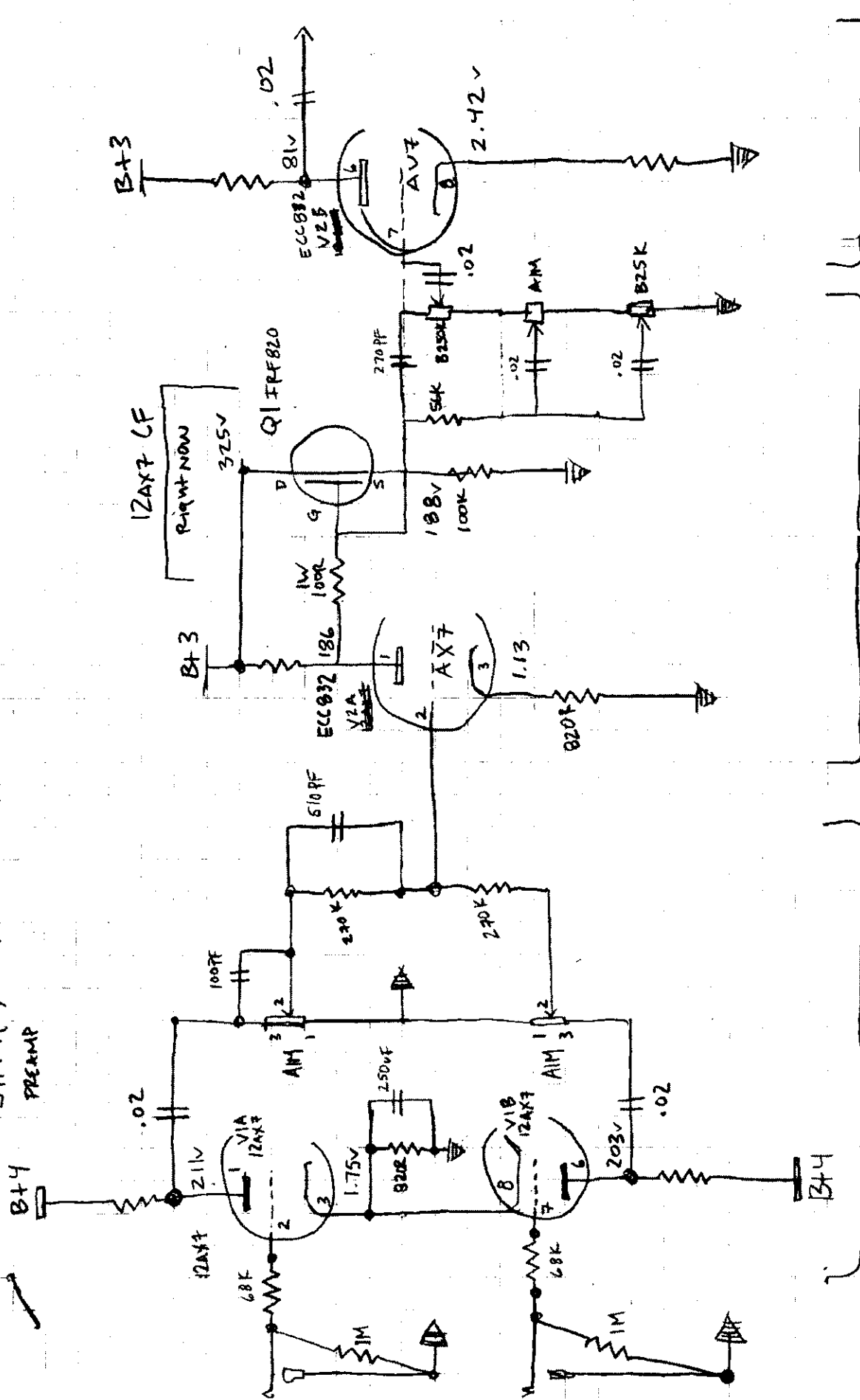


JTM 4(5) SEKT66 "MOONLITE"
PREAMP



PREAMP

TONE STACK

FAUX P.I./DRIVER

12AX7 CF
Right Now

B+3

B+3

B+4

1M

1M

68K

68K

.02

.02

21V

12AX7

68K

1.75V

820

250uF

100PF

270K

270K

510PF

100PF

12AX7

V2A

186

1W

100K

188V

100K

270PF

54K

54SK

.02

Q1 IFR820

12AX7 CF

Right Now

325V

B+3

81V

81V

.02

AV7

2.42V

81V

B+3

81V

.02

B25K

.02

AM

.02

1.13

820K

188V

100K

188V

100K

188V

100K

188V

100K

188V

100K

188V

100K

188V

100K

188V

100K

188V

100K

188V

100K

188V

100K

188V

100K

188V

100K

188V

100K

188V

100K

188V

100K

188V

100K

188V

100K

188V

100K

188V

100K

188V

100K

188V

100K

188V

100K

188V

100K

188V

100K

188V

100K

188V

100K

188V

100K

188V

100K

188V

100K

188V

100K

188V

100K

