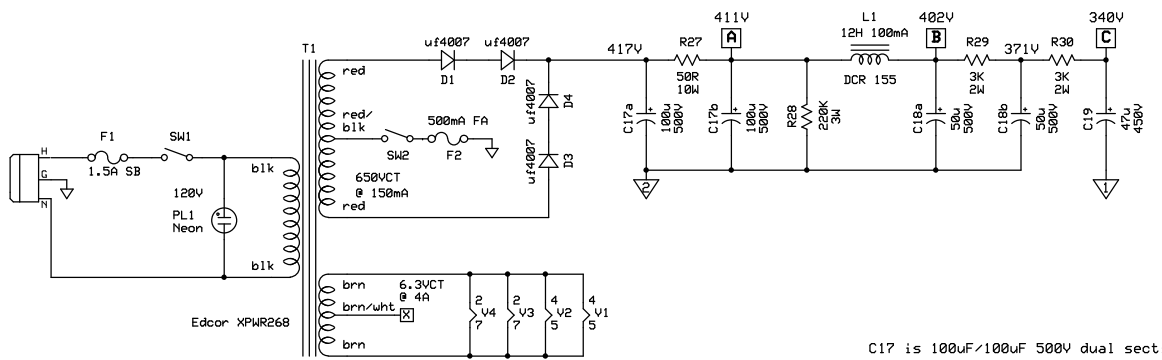


Tube Voltage Chart

	V1	V2	V3	V4	V5
1	205	159	190	28.5	28.5
2	g1	g1	g1	fil	fil
3	1.49	1.10	1.24	403	403
4	fil	fil	fil	395	395
5	fil	fil	fil	g1	g1
6	170	293	186	n/c	n/c
7	g1	g1	g1	fil	fil
8	0.87	160	1.30	28.5	28.5
9	fil	fil	fil	n/a	n/a



C17 is 100uF/100uF 500V dual section 1.375" can.
 C18 is 50uF/50uF 500V dual section 1.375" can.
 L1 is Hammond 193B: 12H, 100mA, 155DCR.
 R27 is two 100R 5W WW resistors in parallel.
 All resistors 1W carbon film unless otherwise noted.
 All coupling caps are 600V.
 Voltage readings with Fluke Type 87 DMM @ 120VAC mains.

Rev1 -> Rev1A 11/14/2014
 Added MV VR6 - 2MA
 Added HF PS filter C1
 Changed C3 from 1uF to .68uF
 Changed 1K g2 R23 & R26 to 2K 5W.
 Changed PS node C17 filter from 32uF to 47uF.
 Rev1A -> Rev1B 11/16/2014
 Added Standby Switch and 0.5A FA HT Fuse.