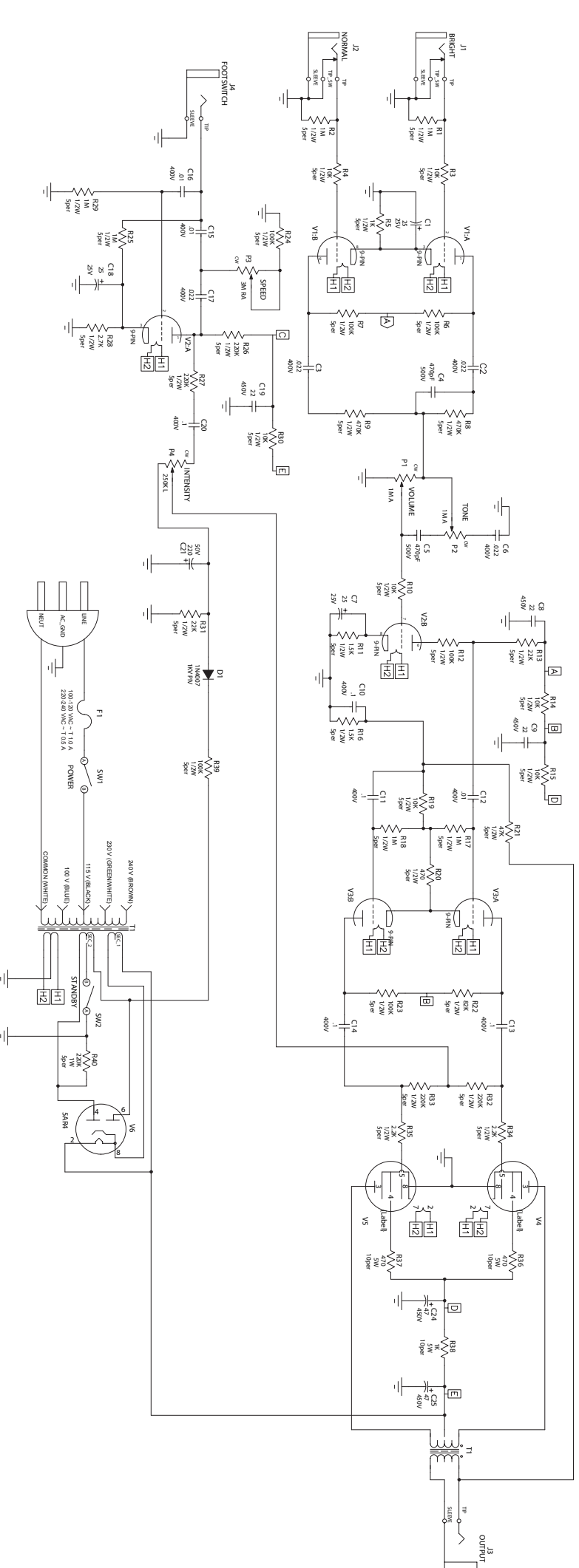


REVISIONS		DATE	REV BY
CHANGE #	REV	DESCRIPTION	



UNLESS OTHERWISE SPECIFIED, DIMENSIONS ARE IN MILLIMETERS. TOLERANCES ARE:

FRACCTIONS	DECIMALS	ANGLES
XX Z/p	XX Z/p	Z/p
.XXX Z/p	.XXX Z/p	

MATERIAL: _____
 CHECKED: _____
 ISSUED: _____

SAINT LOUIS, MISSOURI U.S.A.

J20 Schematic

APPROVALS	DATE
DRAWN: WFB	08-Moy-07
CHECKED: _____	
ISSUED: _____	

SIZE	ARTWORK NO.	DWG. NO.	REV.
D		133SCH_1	

SCALE 1.000 SHEET 1 OF 1

THE INFORMATION CONTAINED HEREIN IS PROPRIETARY AND CONFIDENTIAL PROPERTY OF LOUD TECHNOLOGIES, INC. ALL RIGHTS RESERVED.