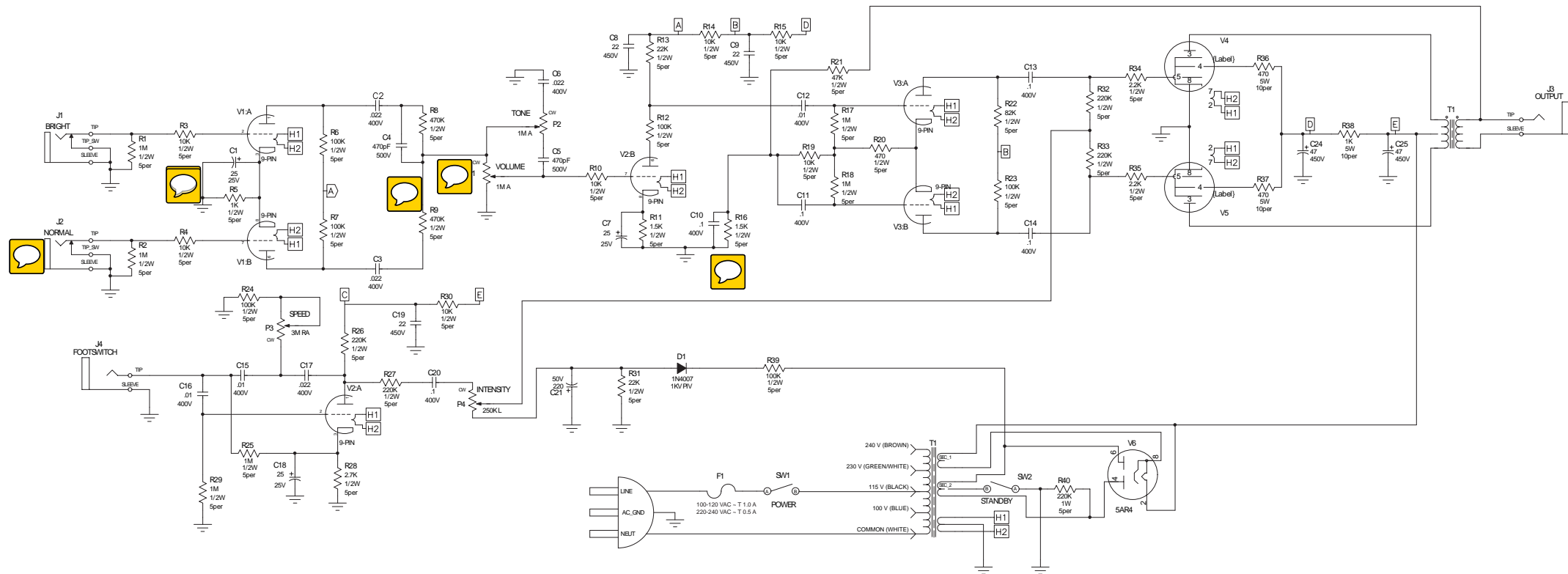



DWG. NO.	133SCH_1		SH	REV.	1
REVISIONS					
CHANGE #	REV	DESCRIPTION	DATE	REV BY	



UNLESS OTHERWISE SPECIFIED, DIMENSIONS ARE IN MILLIMETERS. TOLERANCES ARE: FRACTIONS DECIMALS ANGLES %%p .XX %%p %%p .XXX %%p		APPROVALS	DATE	 LOUD Technologies Inc. SAINT LOUIS, MISSOURI U.S.A.
DRAWN WFB			08-May-07	
MATERIAL		CHECKED		J20 Schematic
COLOR/FINISH		ISSUED		
DO NOT SCALE DRAWING		SIZE D	ARTWORK NO.	DWG. NO. 133SCH_1
		SCALE 1.000		REV. 1
				SHEET 1 OF 1

THE INFORMATION CONTAINED HEREIN IS PROPRIETARY AND CONFIDENTIAL PROPERTY OF LOUD TECHNOLOGIES INC. ALL RIGHTS RESERVED

8 7 6 5 4 3 2 1

8 7 6 5 4 3 2 1