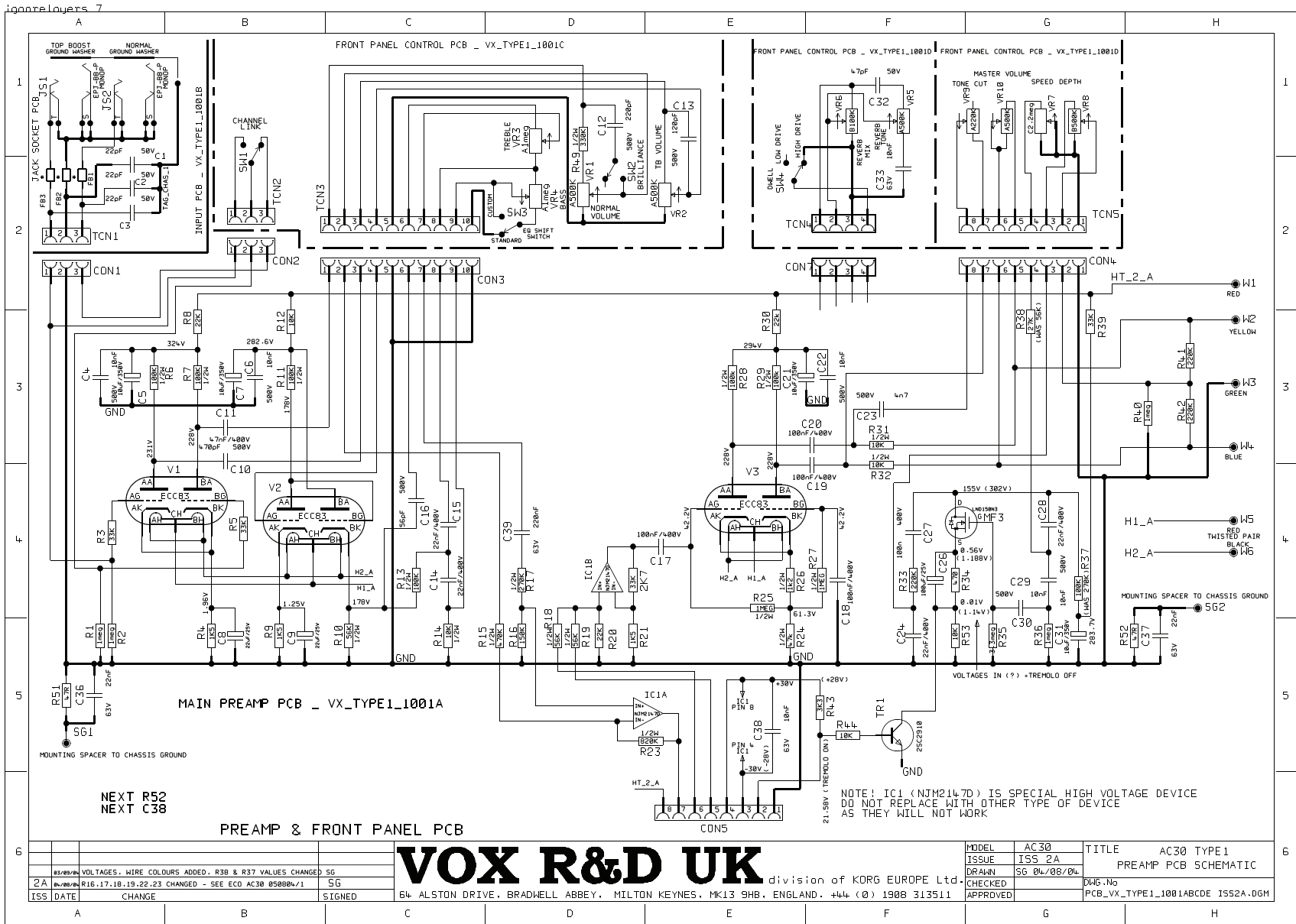


AC30CC2

SCHEMATIC DIAGRAM (AMP)



ISS	DATE	CHANGE	SIGNED
2A	16.17.18.19.22.23	CHANGED - SEE ECD AC30 05000471	SG
1			

VOX R&D UK division of KORG EUROPE Ltd
 64 ALSTON DRIVE, BRADWELL ABBEY, MILTON KEYNES, MK13 9HB, ENGLAND. +44 (0) 1908 313511

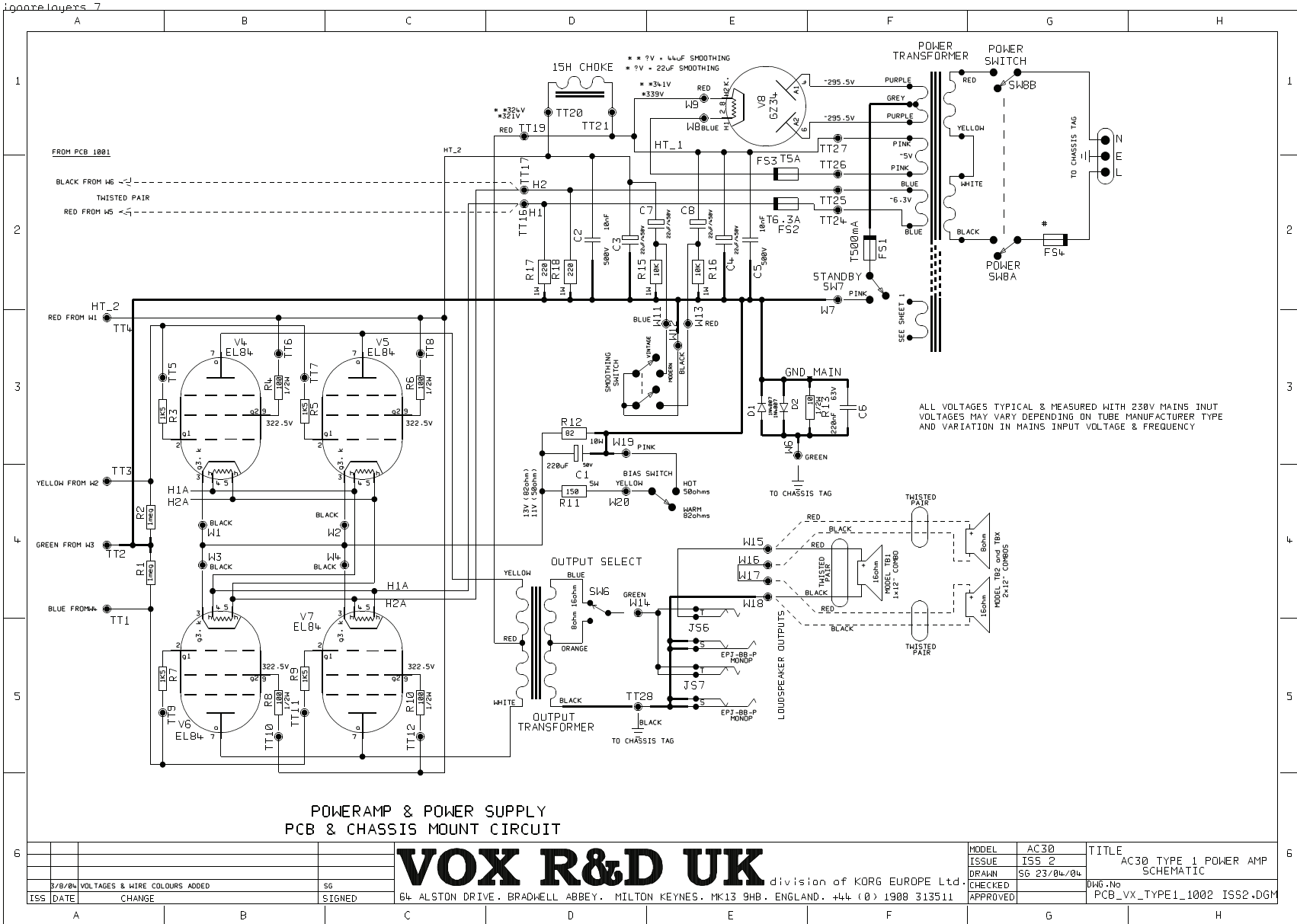
MODEL	AC30	TITLE	AC30 TYPE1
ISSUE	ISS 2A		PREAMP PCB SCHEMATIC
DRAWN	SG 04/08/04		
CHECKED			046.No
APPROVED			PCB_VX_TYPE1_1001ARCD ISS2A.DGM

5

ignorelayers_7

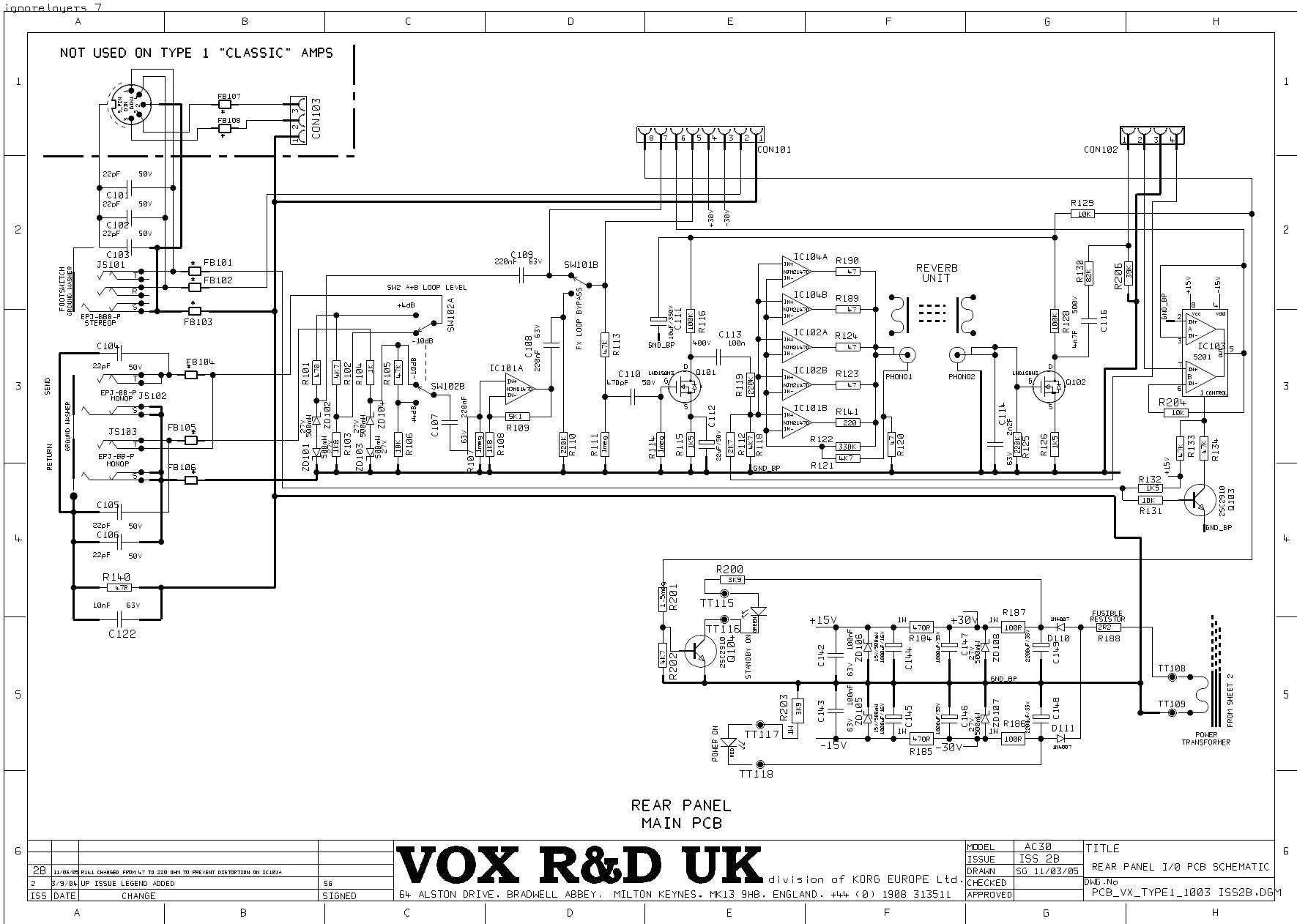
AC30CC2

SCHEMATIC DIAGRAM (AMP)



AC30CC2

SCHEMATIC DIAGRAM (AMP)



REAR PANEL
MAIN PCB

VOX R&D UK

division of KORG EUROPE Ltd.

2B	11/03/05	PCB1 CHANGED FROM L7 TO 220 OHM TO PREVENT DISTORTION ON IC101A	
2	3/9/04	UP ISSUE LEGEND ADDED	5G
ISS	DATE	CHANGE	SIGNED

64 ALSTON DRIVE, BRADWELL ABBEY, MILTON KEYNES, MK13 9HB, ENGLAND. +44 (0) 1908 313511

MODEL	AC30	TITLE	
ISSUE	ISS 2B	REAR PANEL I/O PCB SCHEMATIC	
DRAWN	SG 11/03/05		
CHECKED		DWG. No	
APPROVED		PCB_VX_TYPE1_1003 ISS2B.D64	

7

ignorelayers 7

FRONT SHEET 2