



Compare products

Clear list

		Picture	Name	Price	Short description	W:
	Remove		CXPP30-6.6K	\$68.88	30W, push-pull tube output transformer for 6.6K Ohms to a specified output.	:
	Remove		XPWR124	\$57.69	Power transformer for a 120V, 60Hz. or 240V, 50/60Hz. line to 640V (320-0-320) at 150mA center tapped, 6.3V (3.15-0-3.15) at 4A center tapped and 5V at 2A.	

CATEGORIES

RECENTLY VIEWED PRODUCTS

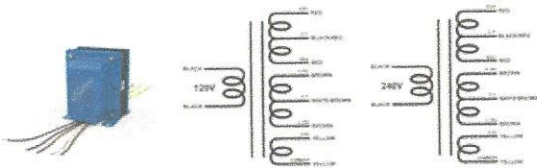
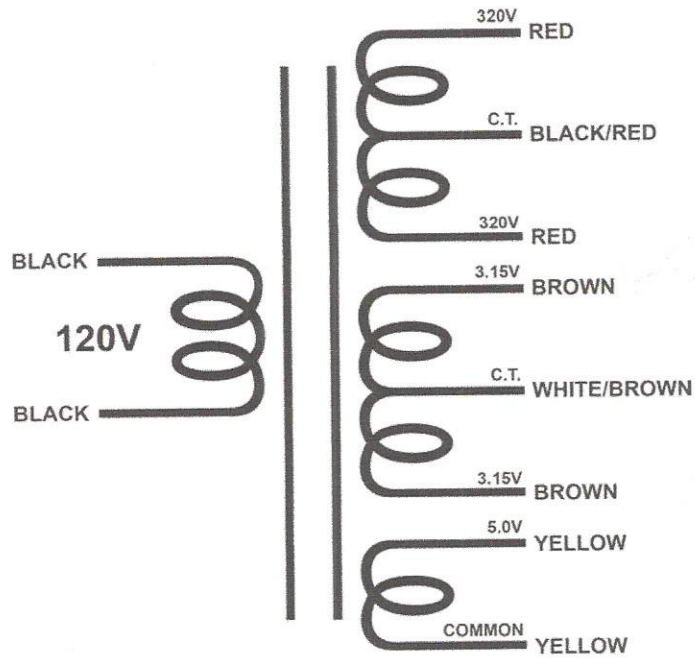
POPULAR TAGS

 **PayPal CREDIT**
Get 6 Months to pay on \$99 or more
Check out with PayPal and choose PayPal Credit
Subject to credit approval. See terms. US customers only.



XPWR124

Home / Class X / Power / Tube Power / XPWR124



Power transformer for a 120V, 60Hz. or 240V, 50/60Hz. line to 640V (320-0-320) at 150mA center tapped, 6.3V (3.15-0-3.15) at 4A center tapped and 5V at 2A.

Add to wishlist

Add to compare list

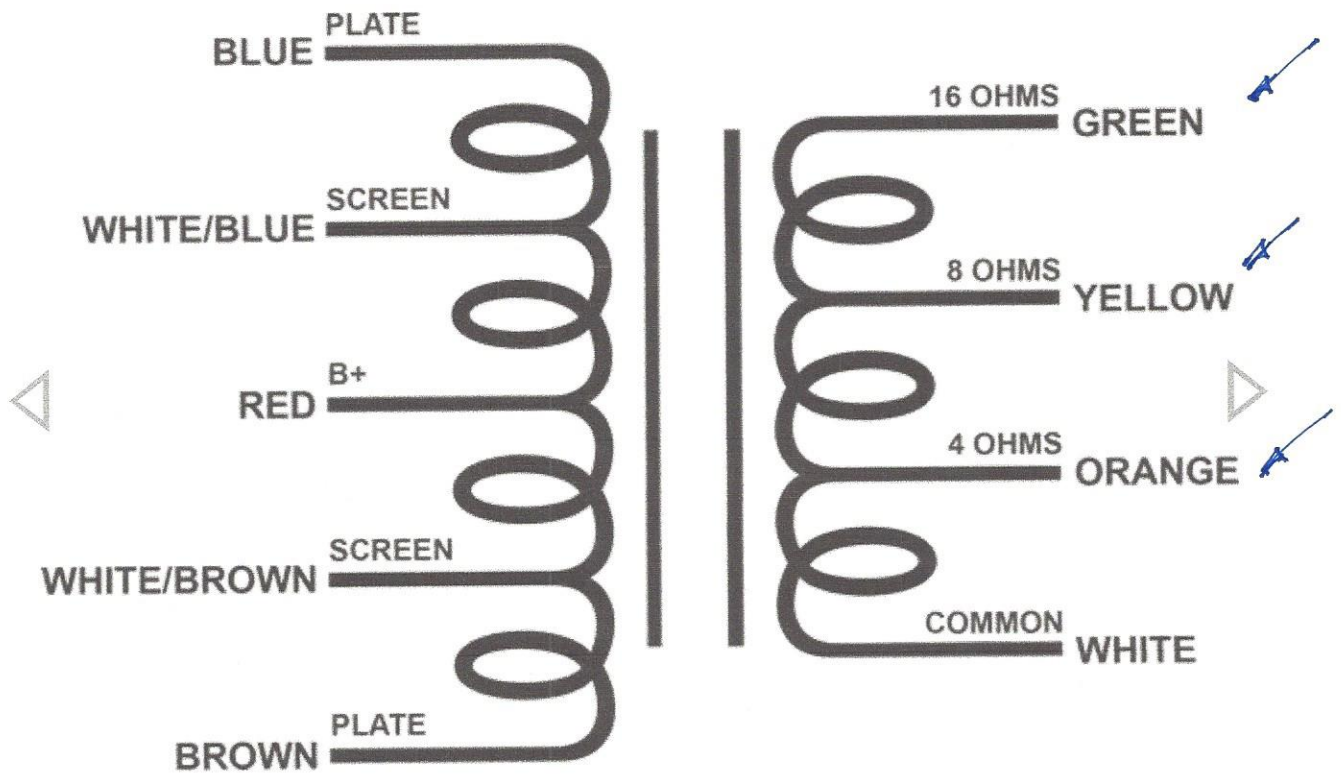
[Email a friend](#)

Availability: **Product is built to order.**



x

CXPP30 - 6.6k



Add to wishlist

Add to compare list

2 of 2

[Email a friend](#)

Availability: **Product is built to order.**

Ship date: **6 weeks**