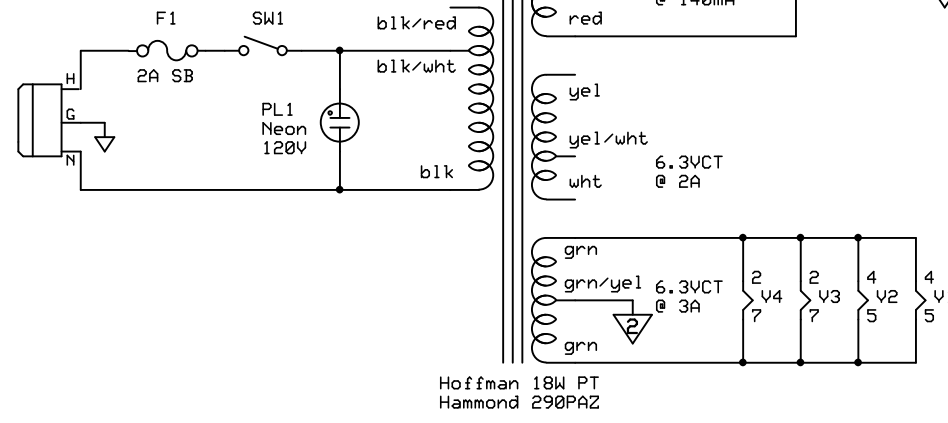
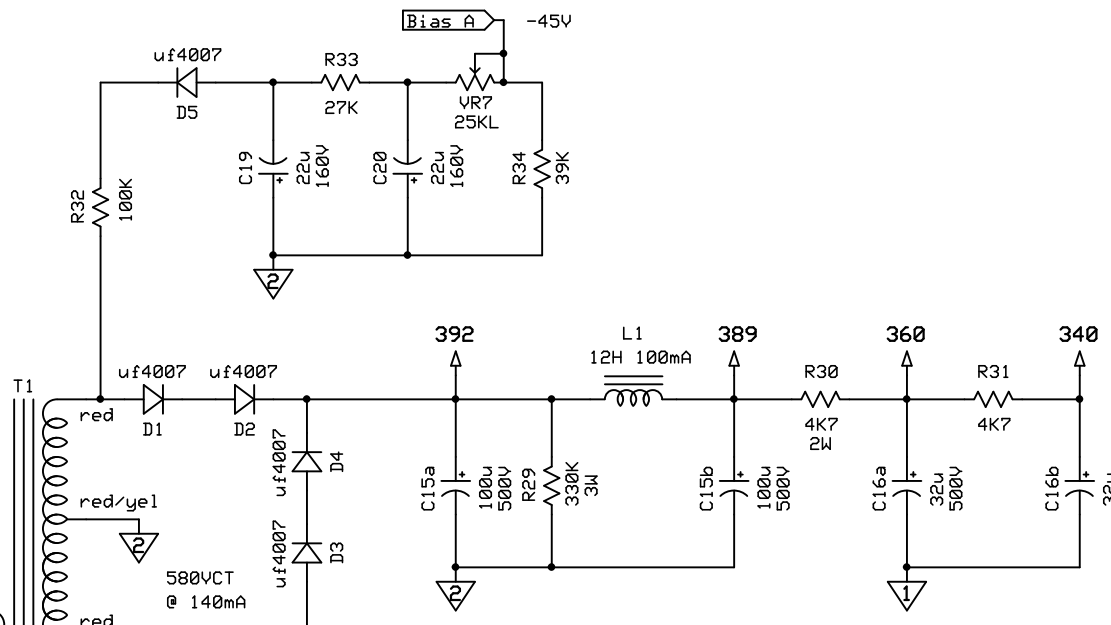


* = optional



Tube Voltage Chart

	V1	V2	V3	V4
1			fil	fil
2	g1	g1		
3			n/c	n/c
4	fil	fil		
5	fil	fil	n/c	n/c
6			g1-p	g1-p
7	g1	g1	g1-p	g1-p
8				
9	fil	fil	0	0
		10	g1-t	g1-t
		11		
		12	fil	fil

C1 is 32uF/32uF 500V dual section 1.375" can.
 C15 is 50uF/50uF 500V dual section 1.375" can.
 C16 is 32uF/32uF 500V dual section 1.375" can.
 L1 is Hammond 193B 12H, 100mA, 155DCR.
 All resistors 1W carbon film unless otherwise noted.
 All coupling caps are 600V.
 Target Bias is 22mA per 6MF8 output tube.

S.T.A.C.		
Compact 2204		
P. Mitcheltree	Rev 2.0a 5/20/2017	Page 1 of 1