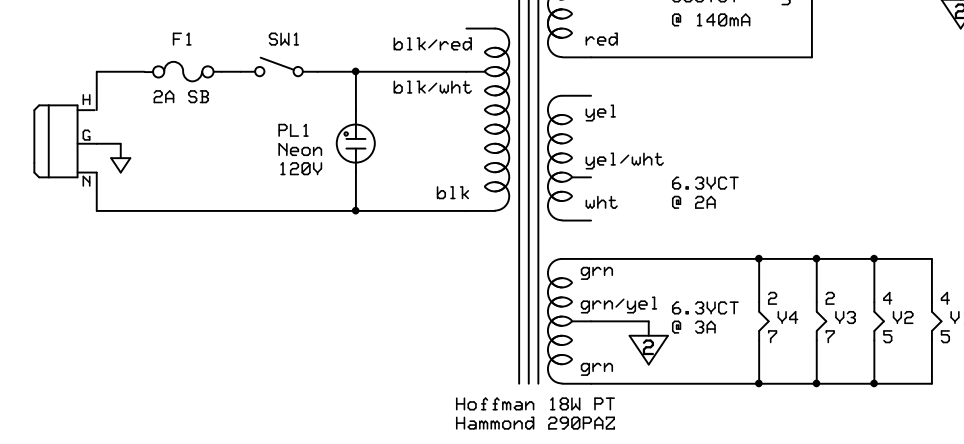
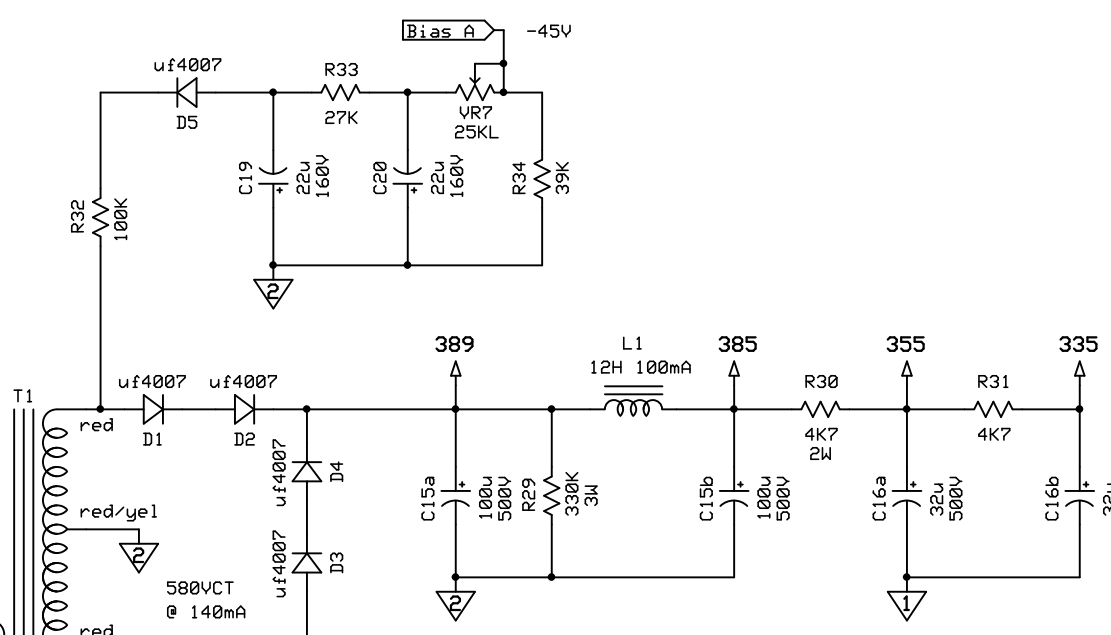


* = optional



Tube Voltage Chart

	V1	V2	V3	V4
1	218	159.7	fil	fil
2	g1	g1	247	240
3	1.48	1.10	n/c	n/c
4	fil	fil	387	387
5	fil	fil	n/c	n/c
6	260	295	-45	-45
7	g1	g1	-45	-45
8	2.32	161.2	345	345
9	fil	fil	0	0
		10	g1-t	g1-t
		11	37.5	37.5
		12	fil	fil

C1 is 32uF/32uF 500V dual section 1.375" can.
 C15 is 50uF/50uF 500V dual section 1.375" can.
 C16 is 32uF/32uF 500V dual section 1.375" can.
 L1 is Hammond 193B 12H, 100mA, 155DCR.
 All resistors 1W carbon film unless otherwise noted.
 All coupling caps are 600V.
 Target Bias is 22mA per 6MF8 output tube.
 Vese of R17 = 3.39V
 T2 is 4K:2/4/8 40W run with 2x sec. load as 8K:4/8/16

S.T.A.C.
Compact 2204

P. Mitcheltree	Rev 2.0a	Page 1 of 1
	5/20/2017	