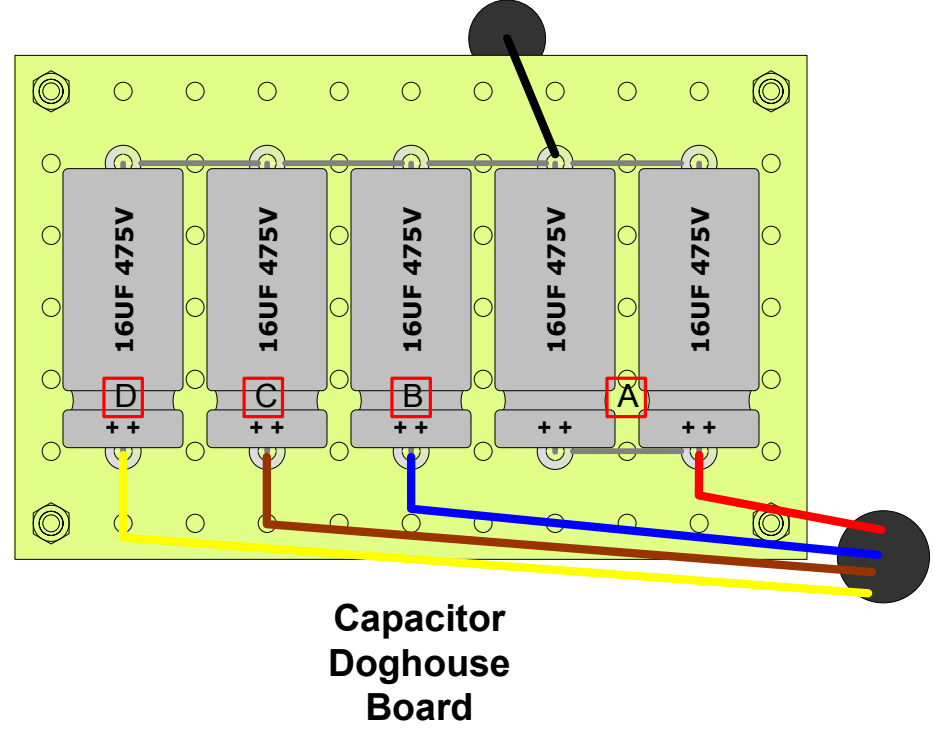
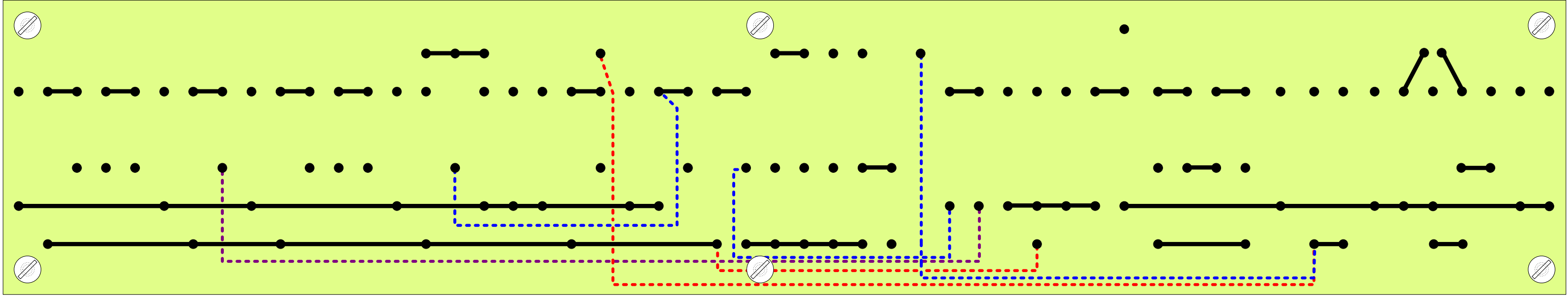
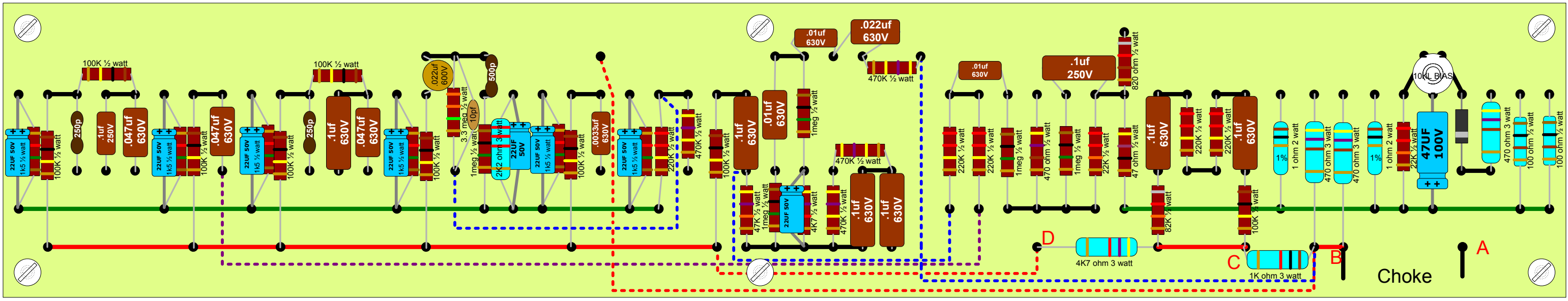
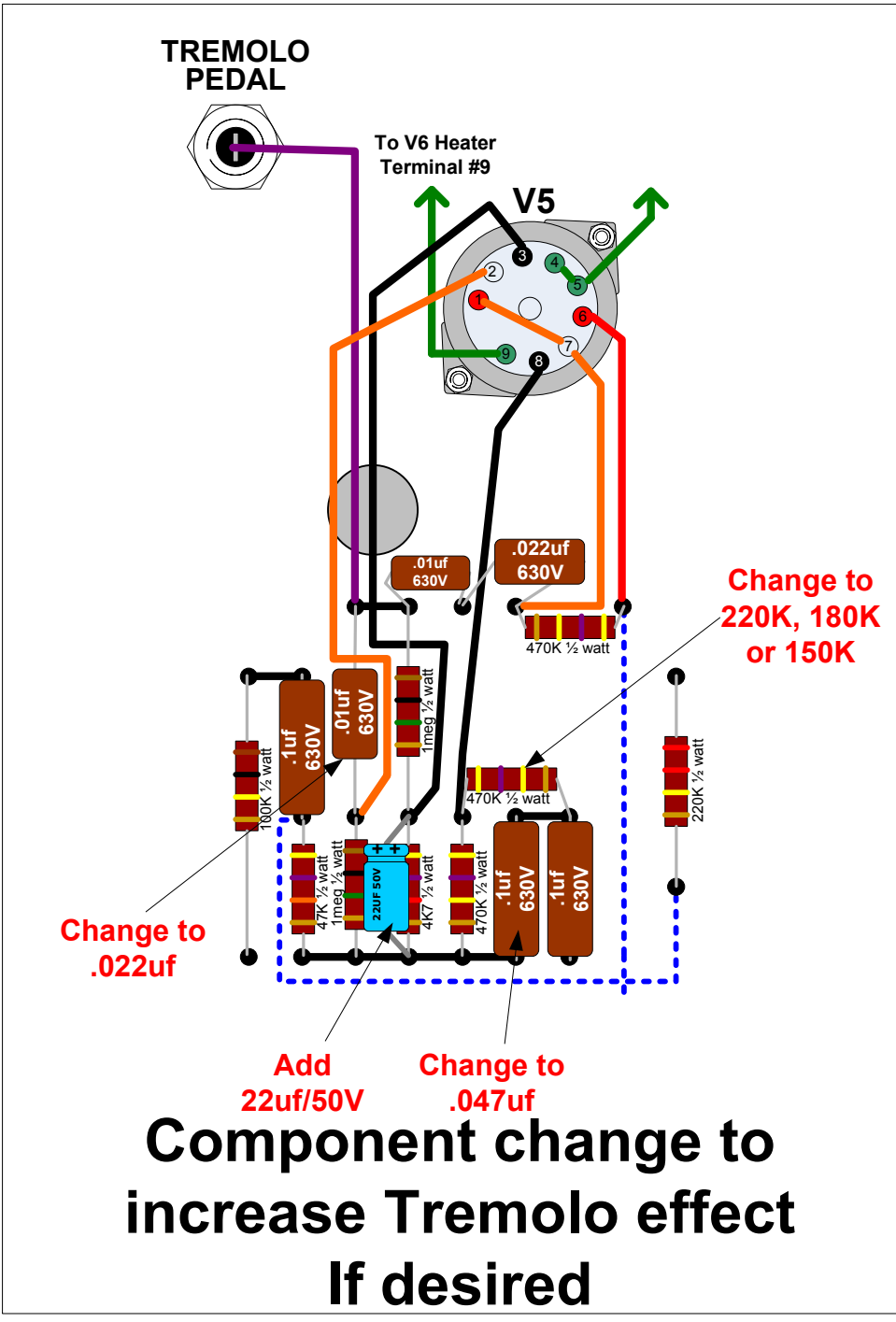
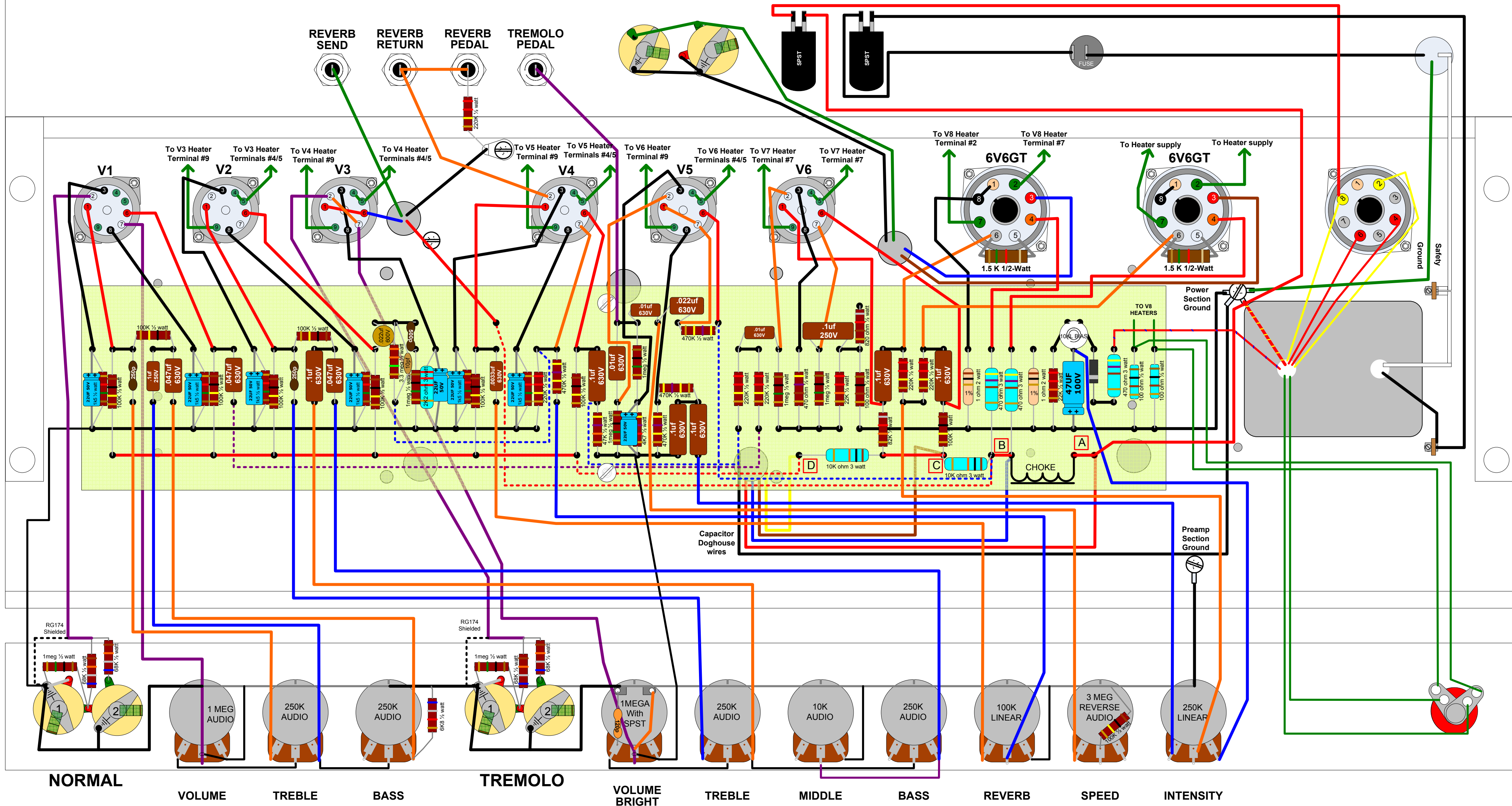
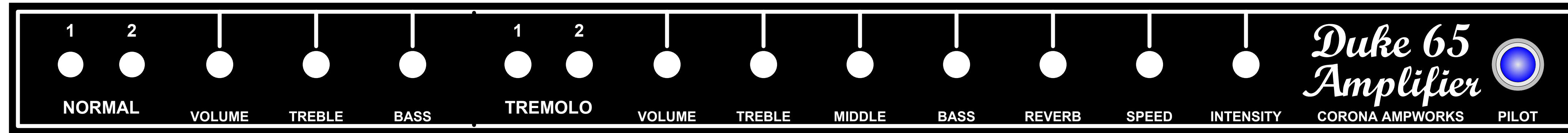


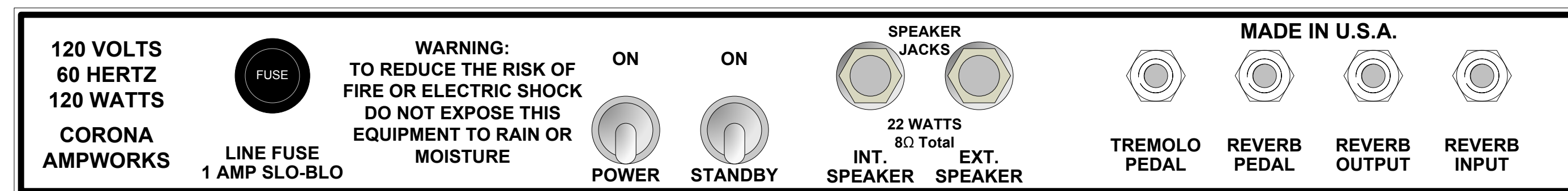
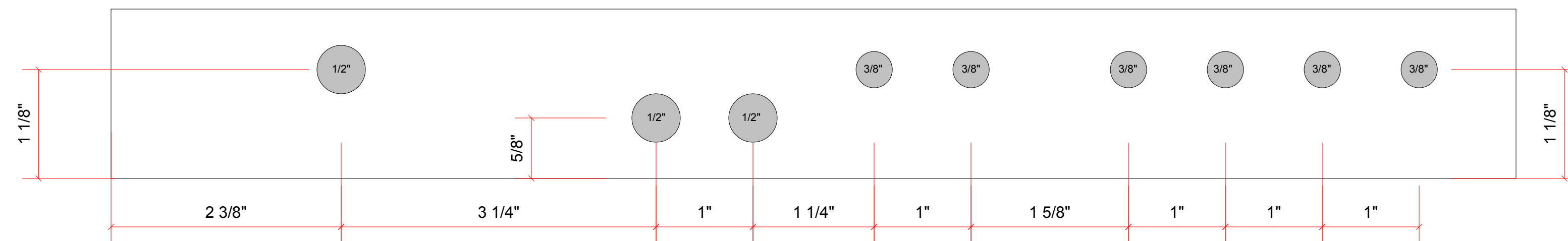
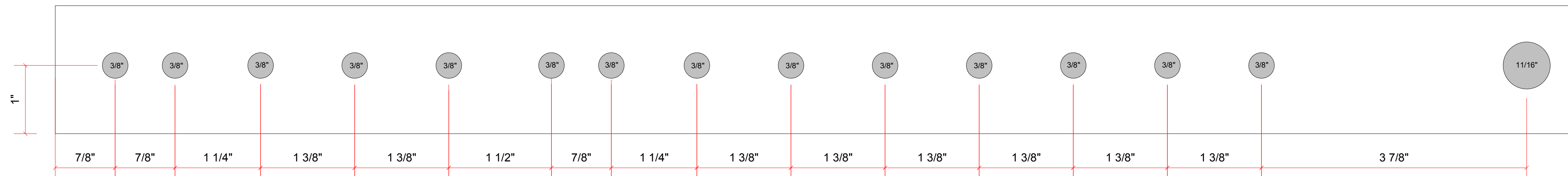
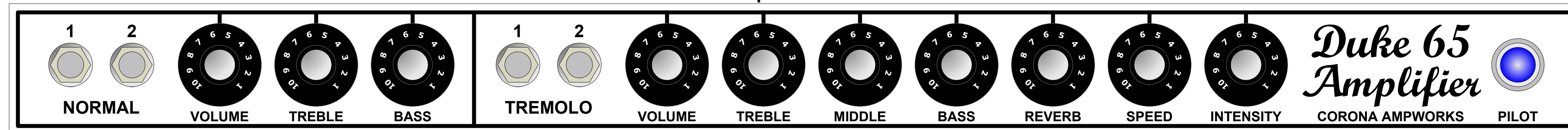
EXT. SPEAKER INT. SPEAKER STANDBY POWER LINE FUSE 1 AMP SLO-BLO



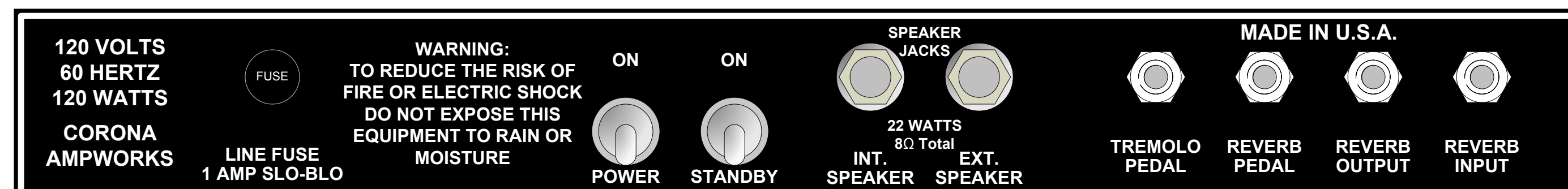
<h1>L1</h1>	HOFFMAN AB763 2 CHANNEL LAYOUT			
	<h2>CORONA AMPWORKS</h2>			
DRAWN BY: BNW	SIZE	FSCM NO	DWG NO	REV
SCALE: 1:1	SCALE	1:1	SHEET	1 OF 3



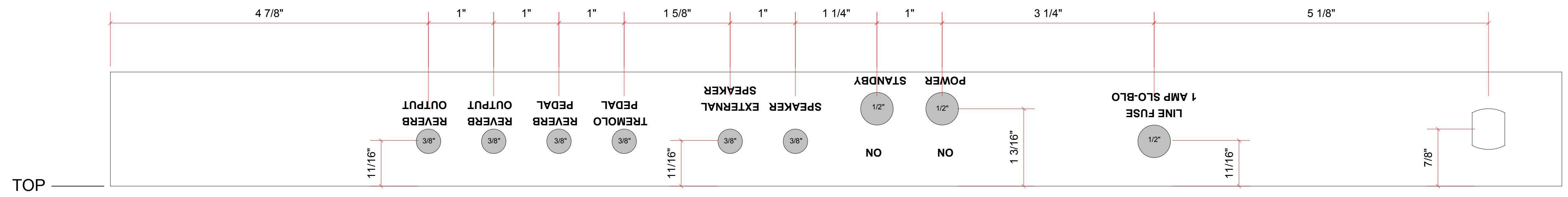
Faceplate



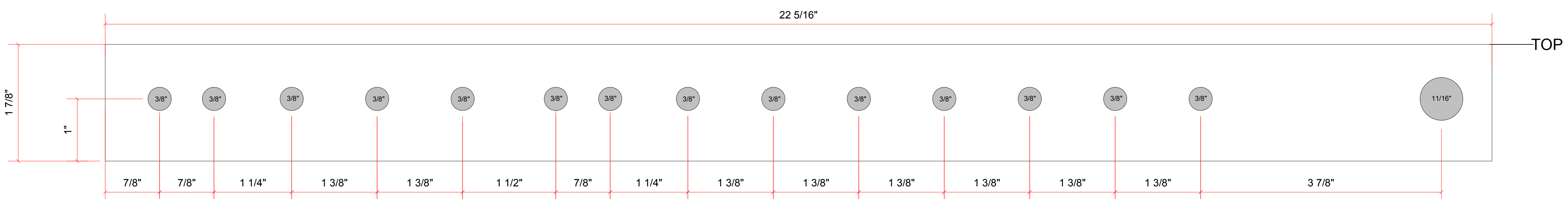
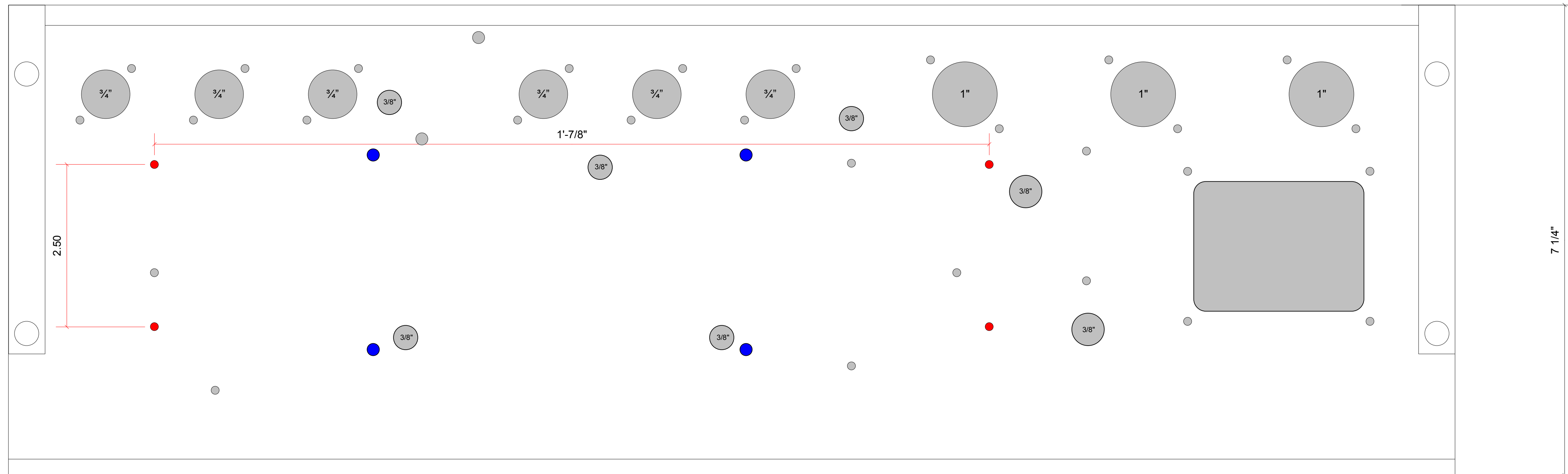
Backplate



<h1>L2</h1>	HOFFMAN AB763 2 CHANNEL LAYOUT			
	<h2>CORONA AMPWORKS</h2>			
DRAWN BY: BNW	SIZE	FSCM NO	DWG NO	REV
SCALE: 1:1	SCALE	1:1	SHEET	2 OF 3



TOP



TOP

<h1>L3</h1>	HOFFMAN AB763 2 CHANNEL LAYOUT			
	<h2>CORONA AMPWORKS</h2>			
DRAWN BY: BNW	SIZE	FSCM NO	DWG NO	REV
SCALE: 1:1	SCALE	1:1	SHEET	3 OF 3