

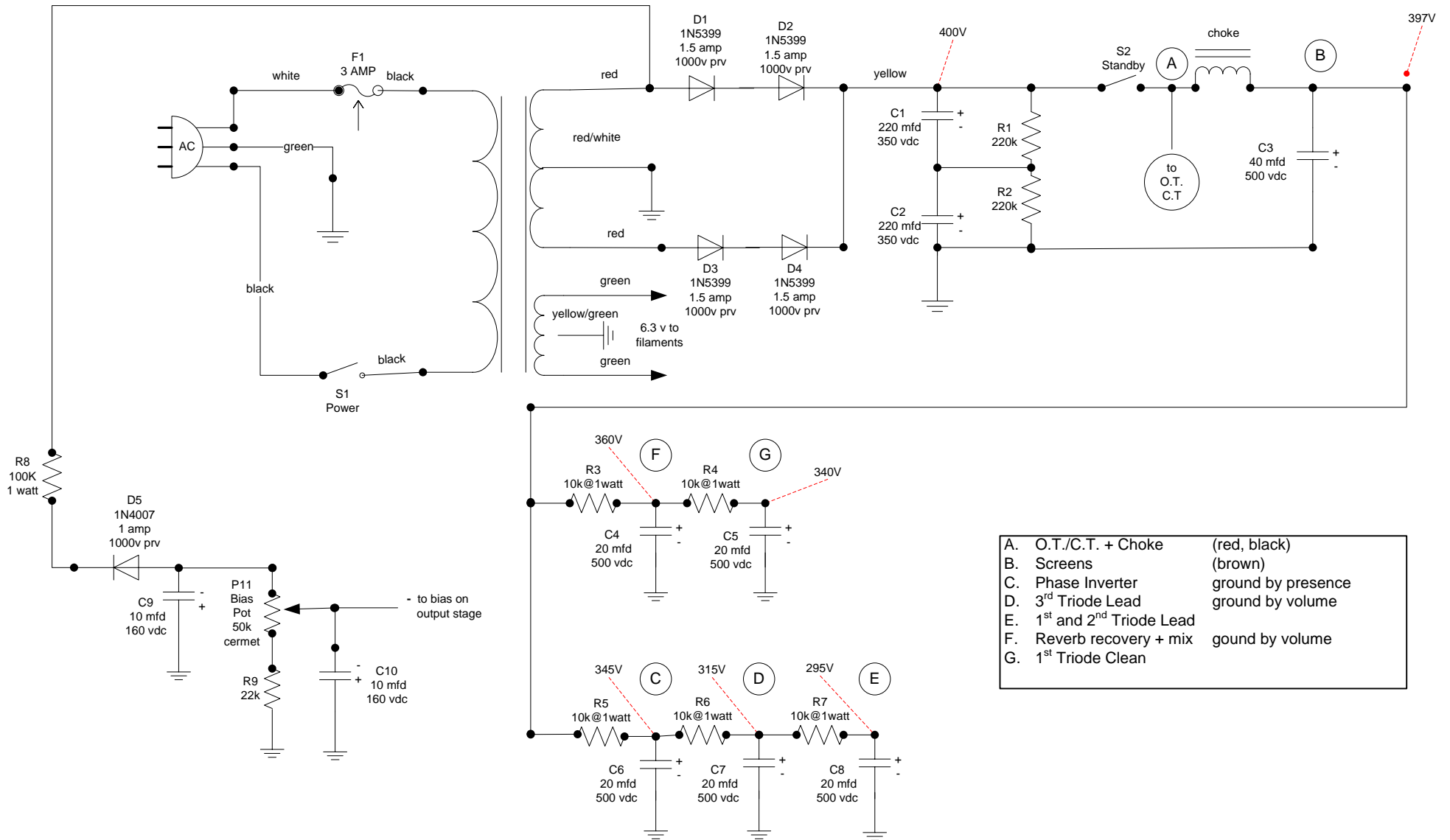
## Suggested Assembly Sequence for the New JoyZee Amplifier

- |                       |  |
|-----------------------|--|
| 1. Sockets            | Mount the tube socket  |
| 2. Output Transformer | Mount the output transformer   |
| 3. Heaters            | Wire the heaters using 18 gauge. wire. Twist the wire pairs to cancel AC hum and observe correct polarity. |
| 4. Boards             | Mount the boards in the chassis.   |
| 5. Speaker Jacks      | Mount the speaker jacks, bias probes, and reverb jacks   |
| 6. Pots               | Install all of the pots, and input jacks. Wire these from the circuit board.                               |
| 7. Tube Socket        | Wire the tube sockets from the board. (Solder only after re-checking the wiring)                           |
| 8. Power Transformer  | Mount the power transformer  |
| 9. Switches           | Install all switches and jacks in front panel, and lamp.   |
| 10. Transformers      | Wire the transformers  |
| 11. AC Cord           | Wire the AC power cord and strain relief   |
| 12. Final Inspection  | Check for obvious shorts, missing solder joints, etc.  |
| 13. First start       | Without tubes, connect to a current limiter and check for problems   |
| 14. Second start      | With power off, install all tubes. Connect to a current limiter and check for problems                     |

*Notes:* Take your time building the amplifier. First look over all the documentation included with the amplifier. Spend at least a couple of hours familiarizing yourself with the layout, the schematics, and the pictures.

### Schematic Information

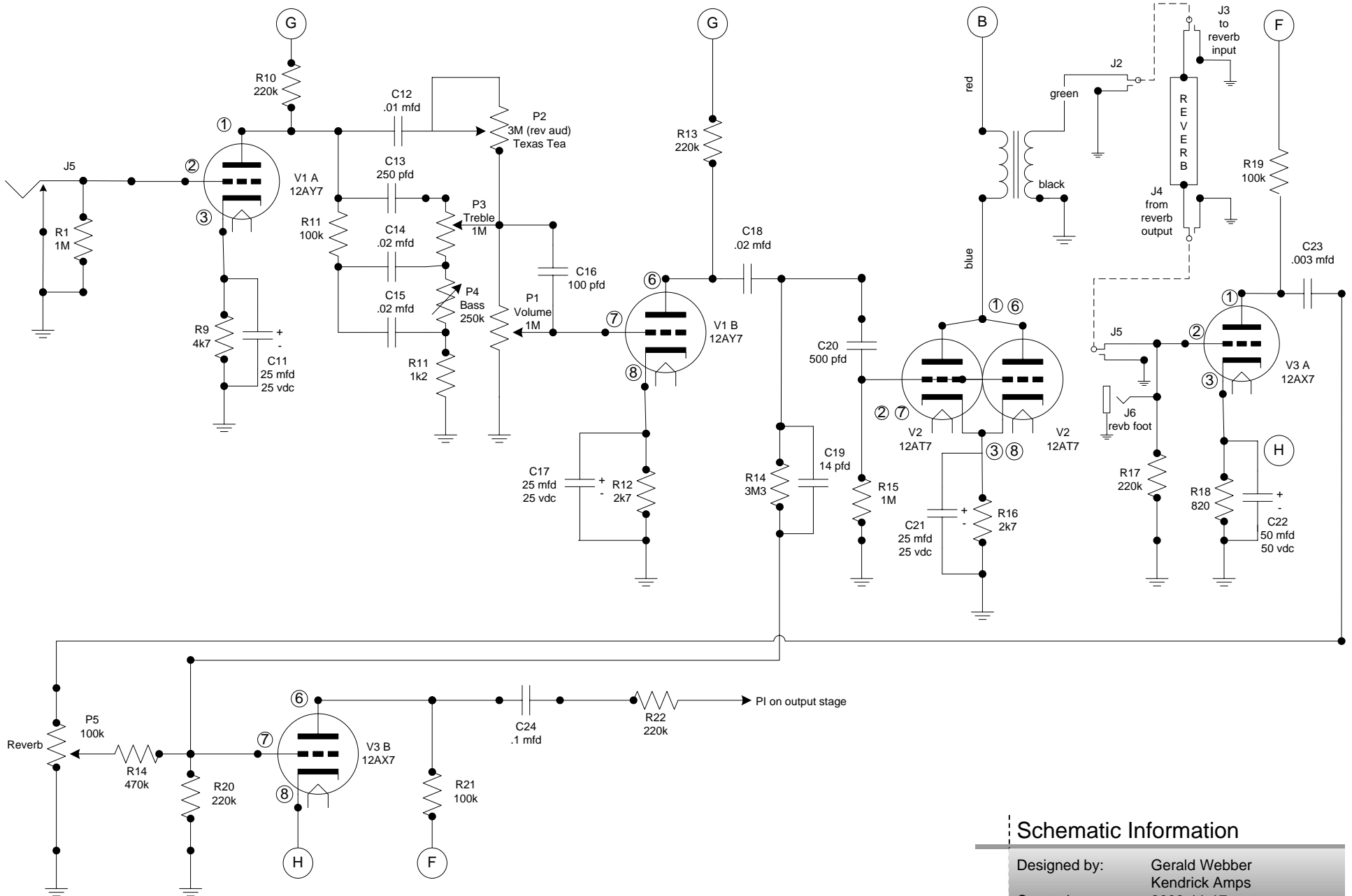
Designed by: Gerald Webber  
Kendrick Amps  
Created: 2003-11-25



- |    |   |                    |
|----|---|--------------------|
| A. | O.T./C.T. + Choke                               | (red, black)       |
| B. | Screens   | (brown)            |
| C. | Phase Inverter                                  | ground by presence |
| D. | 3 <sup>rd</sup> Triode Lead                     | ground by volume   |
| E. | 1 <sup>st</sup> and 2 <sup>nd</sup> Triode Lead | ground by volume   |
| F. | Reverb recovery + mix                           | ground by volume   |
| G. | 1 <sup>st</sup> Triode Clean                    |                    |

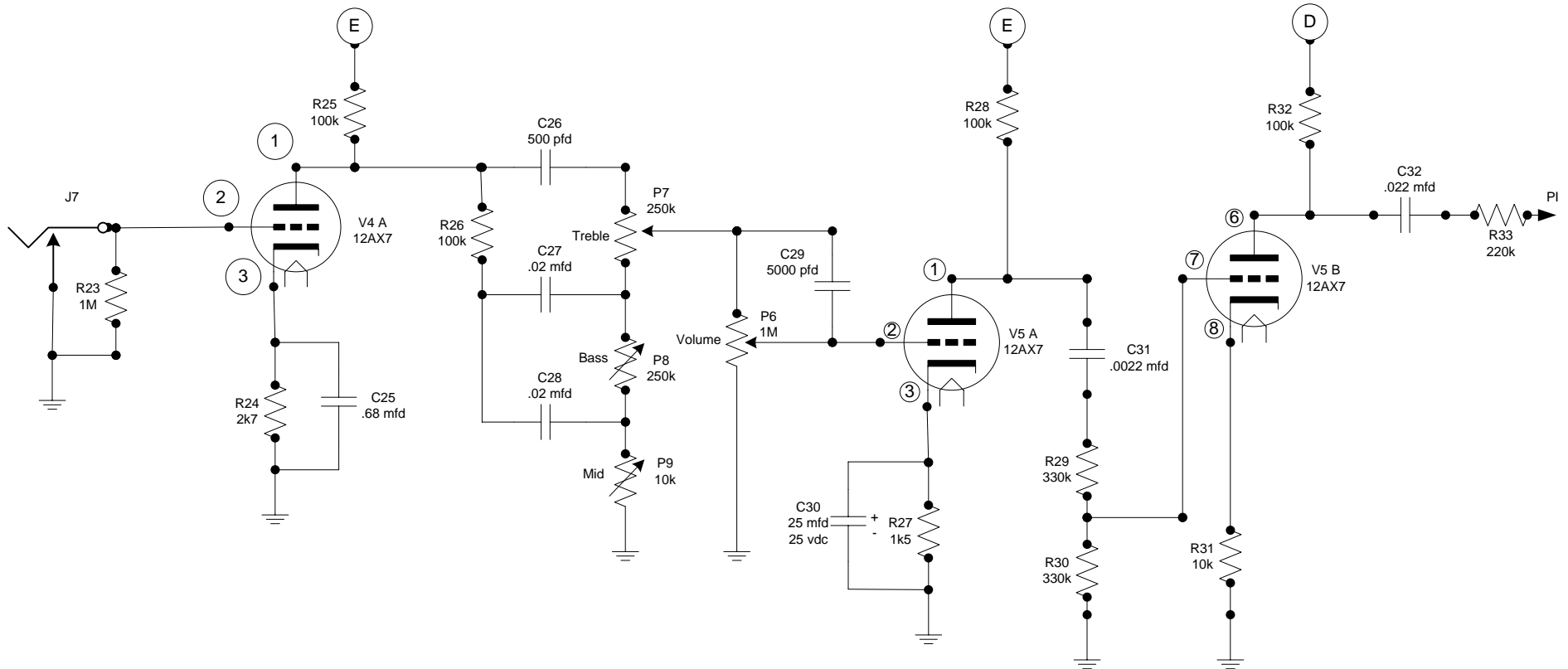
Schematic Information

Designed by: Gerald Weber  
Kendrick Amps  
Created: 2003-11-17



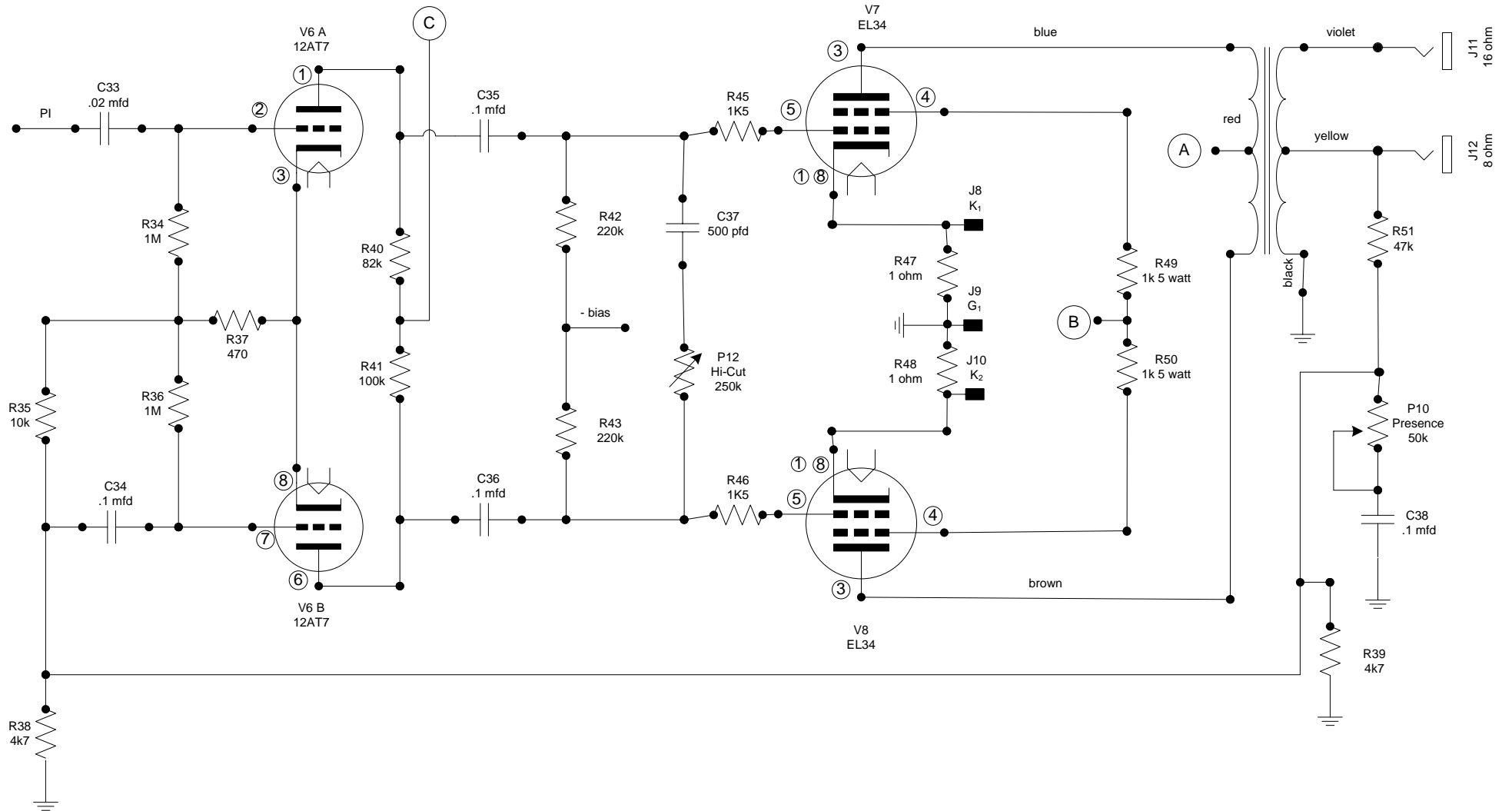
Schematic Information

Designed by: Gerald Webber  
Kendrick Amps  
Created: 2003-11-17



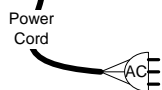
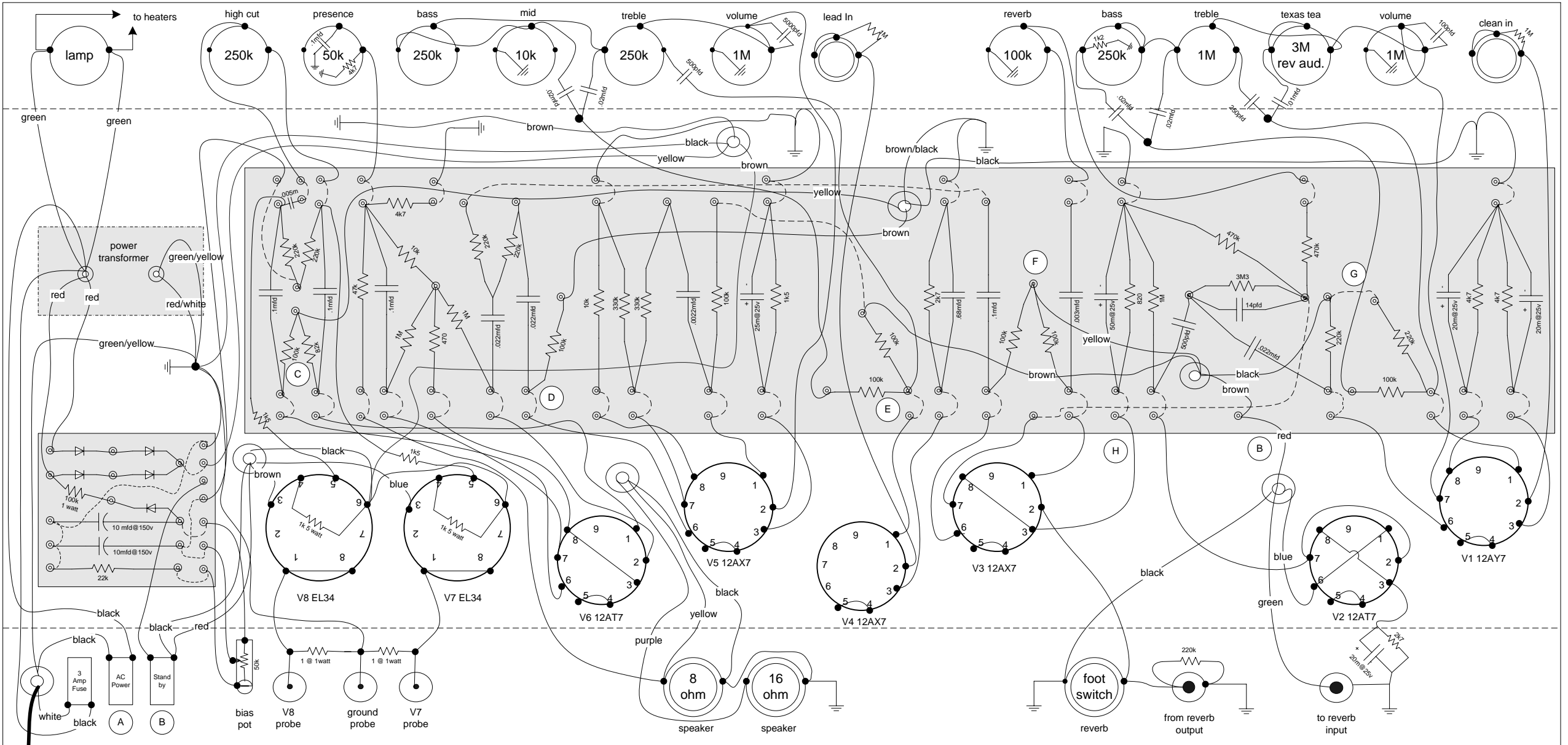
Schematic Information

Designed by: Gerald Webber  
Kendrick Amps  
Created: 2003-11-17



### Schematic Information

Designed by: Gerald Webber  
Kendrick Amps  
Created: 2003-11-24



Notes: Heater wiring not shown.  
Power filter circuit not shown.

**Schematic Information**

Designed by: Gerald Webber  
Kendrick Amps  
Created: 2003-11-24