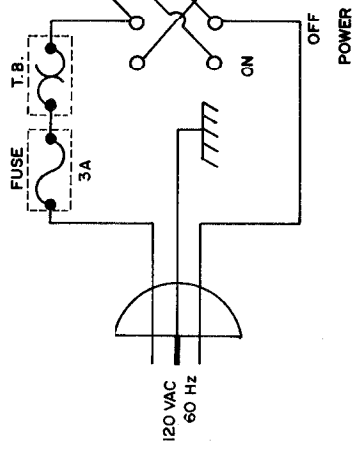


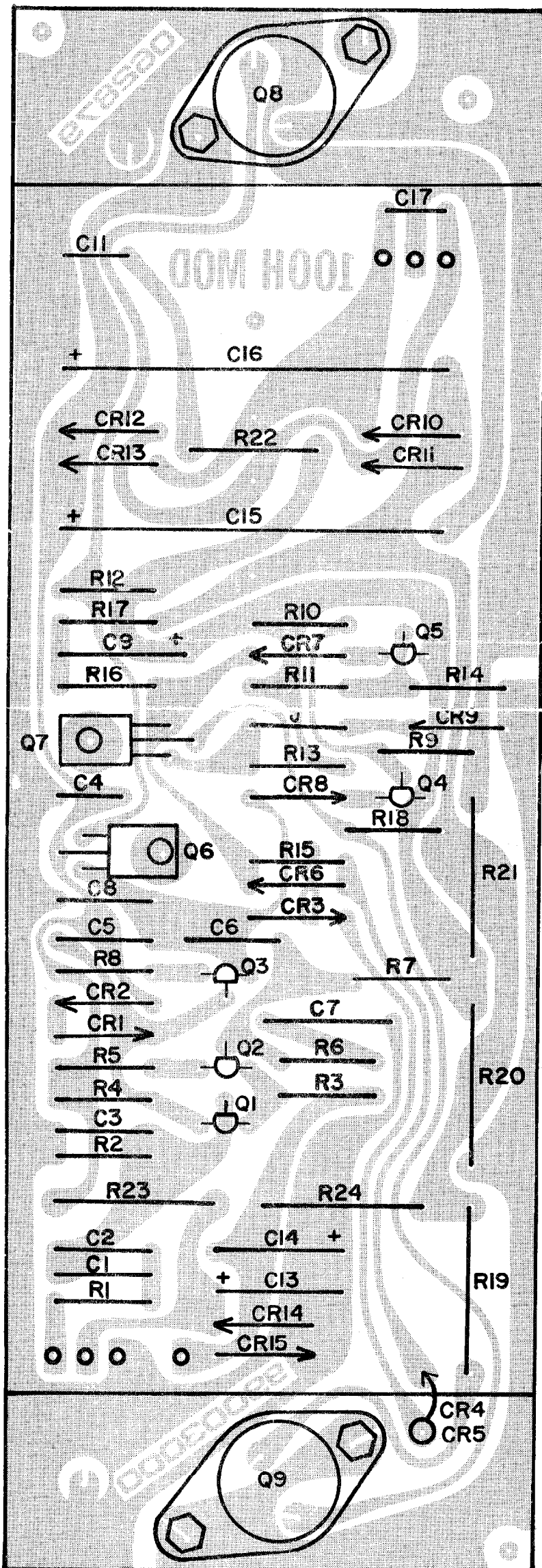
100H MODULE
 BD.# 99003000(6/28/79)

- NOTES**
 ALL RESISTORS 1/4W UNLESS NOTED
 ALL CAPACITORS IN MFD UNLESS NOTED
 ALL DIODES 4148 UNLESS NOTED
 LAST REF. DESIGNATOR USED:
 R24 Q9 CR13 Q9 - C10 AND C12 DELETED
 *CONNECTED TO HEATSINK



REVISED 9/28/84 *RSB*
 PEAVEY ELECTRONICS CORP.
 MERIDIAN, MS
 DRAWN BY *JK* DATE 7-11-79
 C.B. CK *JK*
 CK. BY *gja*
 APPR. BY *RCB*

P/N 81505003



100 H MODULE