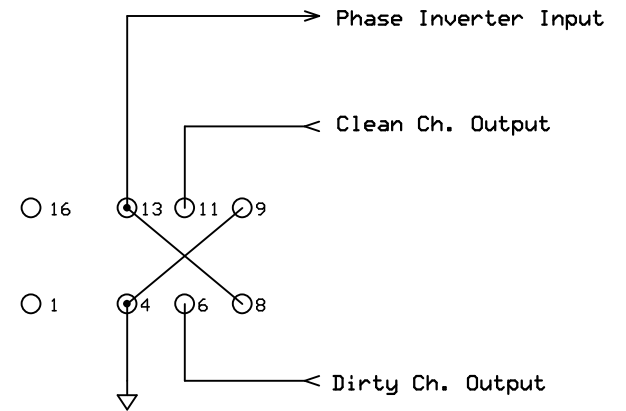
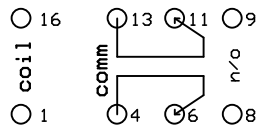


Input Relay



Phase Inverter Relay



DPDT DIP-16 Relay Schematic

Omron G5V-2

As shown, with the Relays de-energized, the Clean Channel is active, Dirty Channel input and output are grounded.

Forum Amps		
Input / PI switching		
Pete	Rev 1.0	Page 1 no scale
	9/11/2017	