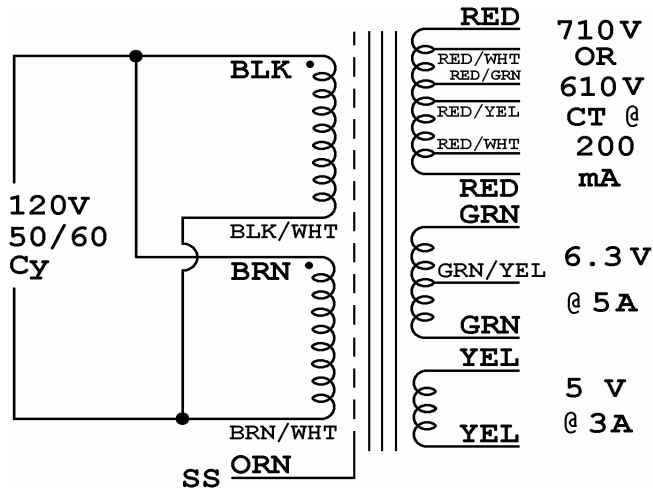


40-18094

REVISIONS

| LTR | DESCRIPTION | DATE | APPROVED |
|-----|-----------------|----------|-------------|
| A | REVISED MARKING | 05/14/12 | M. Sacketti |

120V CONNECTIONS



240V CONNECTIONS

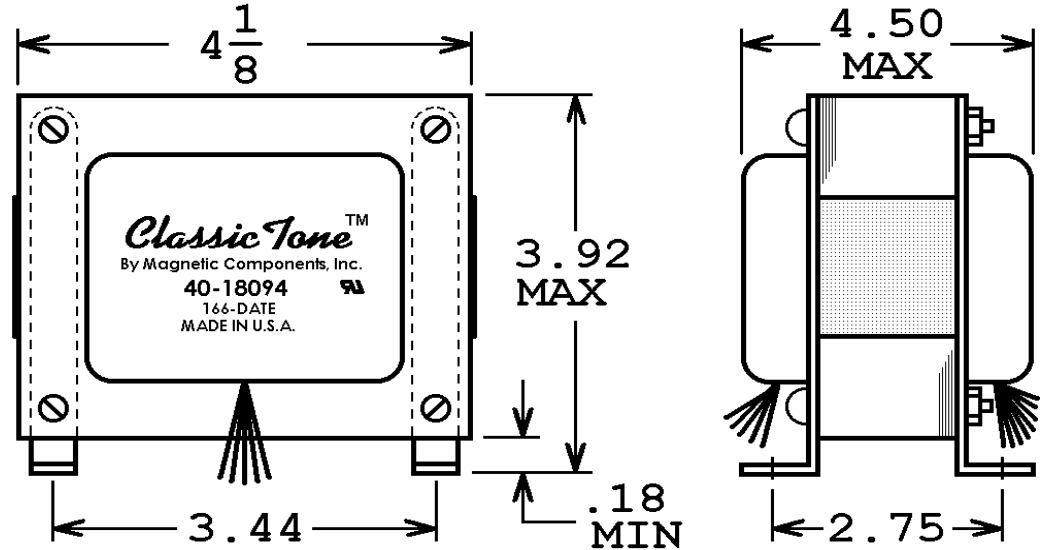
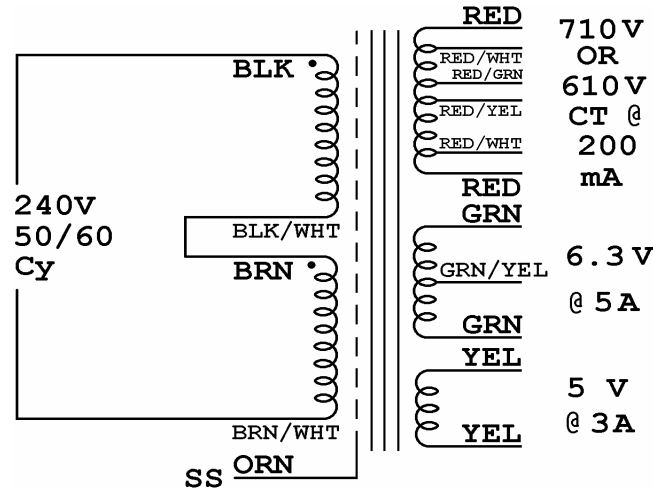


PLATE WINDING :

355V-0-355V (710V CT) RED-RED/YEL-RED OR (SEE TABLE FOR B+ VOLTS)
OR 305V-0-305V (610V CT) RED/WHT-RED/YEL-RED/WHT (SEE TABLE FOR B+ VOLTS)

BIAS : RED/GRN-RED/YEL = 50V
GROUND ORN LEAD TO CHASSIS

MEASURED B+ @ 200mA DC
LOAD, 40µF CAPACITOR

| TAPS | RECT. | B+ |
|------|-------|---------|
| RED | 5U4GB | 373V DC |
| RED | 5AR4 | 422V DC |
| R/W | 5U4GB | 297V DC |
| R/W | 5AR4 | 344V DC |

| UNLESS OTHERWISE SPECIFIED | |
|--|--|
| ALL DIMENSIONS IN INCHES DO NOT SCALE DRAWING | |
| FRACTIONS +/- | |
| .X = +/- | |
| .XX = +/- | |
| .XXX = +/- | |
| ANGLES = +/- | |

| SIGNATURES | | DATE |
|------------|--------------------|-------------|
| DRAWN : | <i>M. Sacketti</i> | 23 APR 2012 |
| CHECK : | | |
| APPR : | <i>M. Sacketti</i> | 23 APR 2012 |

| MAGNETIC COMPONENTS, INC. | | | | DIV : | |
|---------------------------|-------|------|----------|-------------------|--|
| TITLE | | | | LOC : SCHILLER PK | |
| POWER TRANSFORMER | | | | | |
| CAGE | 50508 | SIZE | PART No. | REV | |
| SCALE | NONE | A | 40-18094 | A | |
| | | | | SHEET : | |