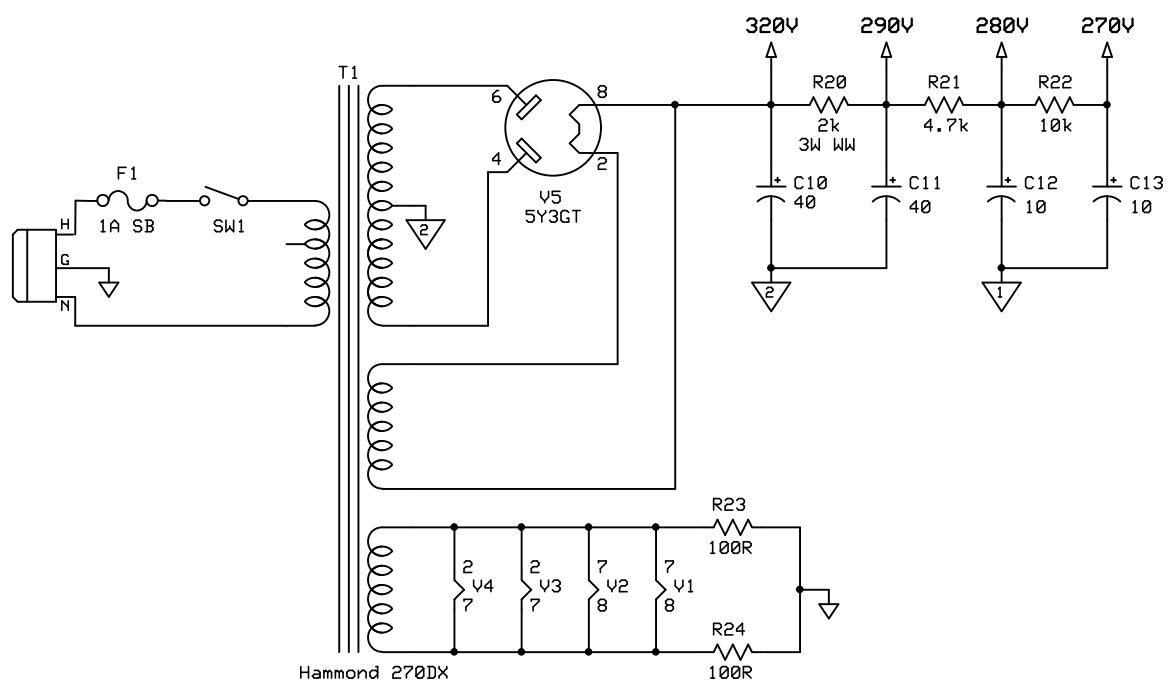


* Optional or switch w/ SPST switch on control.



Notes:

- 1) All resistors 1W CF, UON.
- 2) All capacitors in Micro Farads, UON.
- 3) All coupling capacitors are type 25U 1kV ceramic.
- 4) All power supply capacitors are 500V electrolytic, UON.
- 5) All bypass capacitors are 16V electrolytic, UON.

S.T.A.C.		
El Gringo		
P. Mitcheltree	Rev 1.0	Page 1
	10/22/2017	