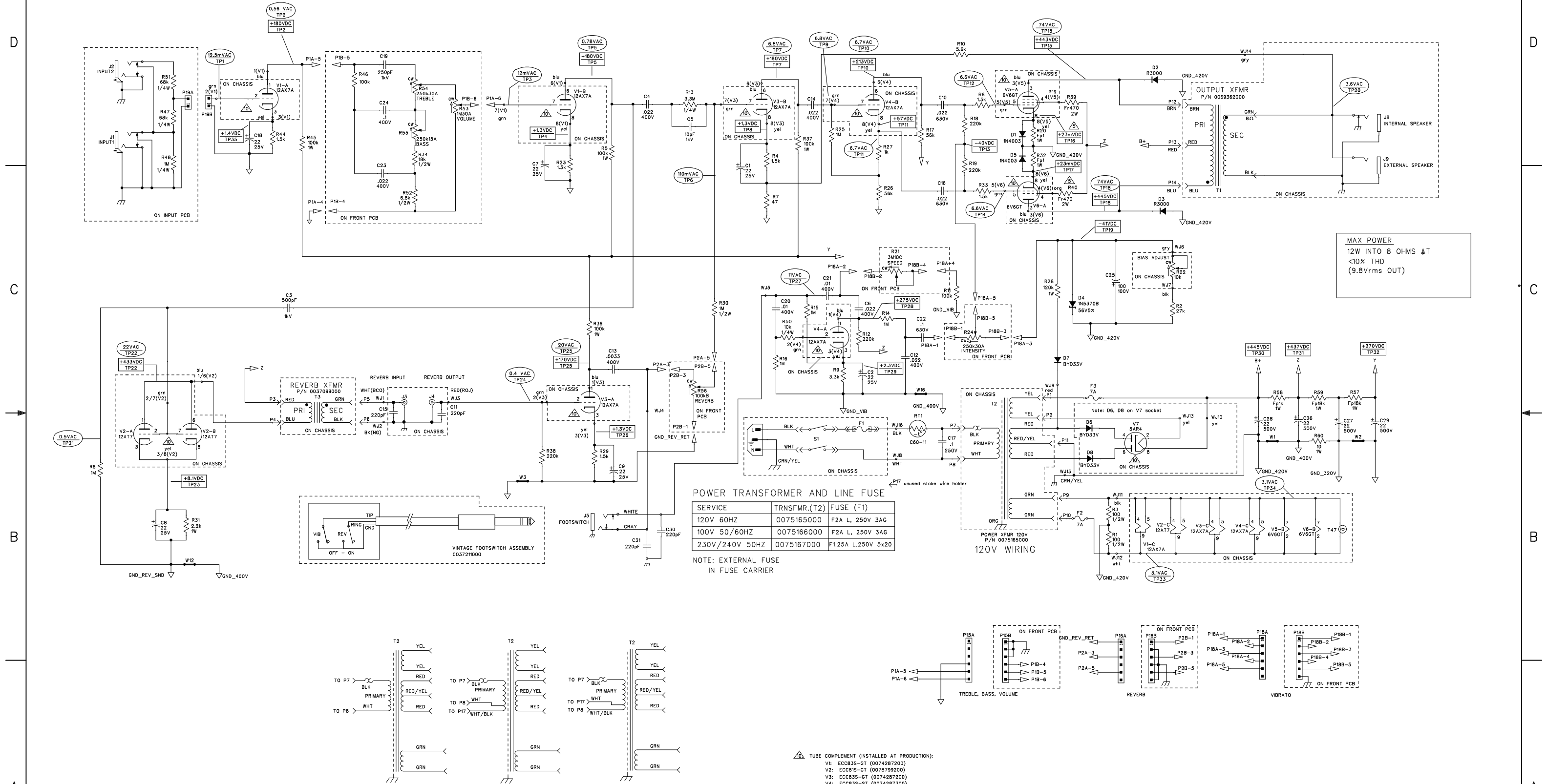


REVISIONS			
REV.	DESCRIPTION	DATE	APPROVED
B	PR2946	24-JUL-13	S M M
C	EC13001	29-OCT-13	S M M

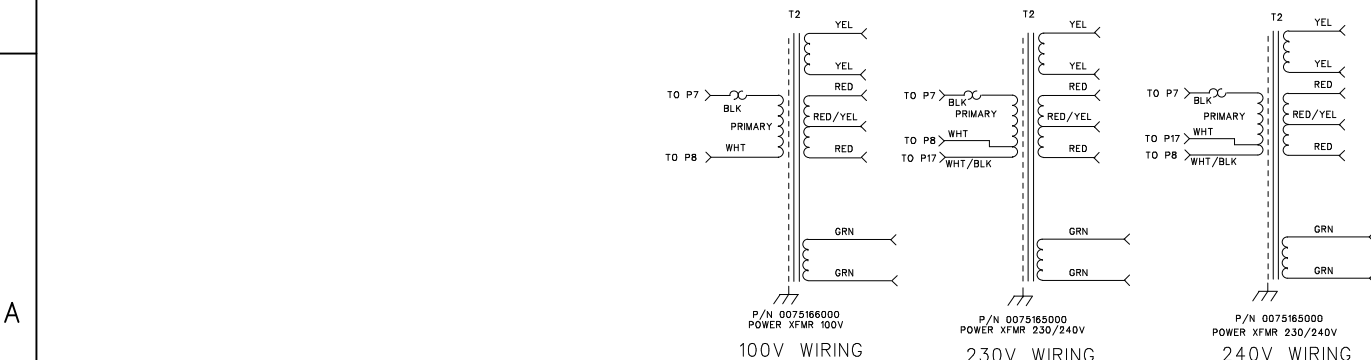


MAX POWER  
12W INTO 8 OHMS @ T  
<10% THD  
(9.8Vrms OUT)

POWER TRANSFORMER AND LINE FUSE

SERVICE	TRNSFM. (T2)	FUSE (F1)
120V 60HZ	0075165000	F2A L, 250V 3AG
100V 50/60HZ	0075166000	F2A L, 250V 3AG
230V/240V 50HZ	0075167000	F1.25A L, 250V 5x20

NOTE: EXTERNAL FUSE IN FUSE CARRIER



- ▲ TUBE COMPLEMENT (INSTALLED AT PRODUCTION):
- V1: ECC83S-GT (0074287200)
  - V2: ECC81S-GT (0078799200)
  - V3: ECC83S-GT (0074287200)
  - V4: ECC83S-ST (0074287300)
  - V5: 6V6-S (0069673000)
  - V6: 6V6-S (0069673000)
  - V7: 5AR4 (0041400000)

- NOT USED REFERENCE DESIGNATORS: R35, R41, R42, R43, R49
- LAST REFERENCE DESIGNATORS: R80, R11, C31, D8, F3, J9, P19, TP35, V7, WJ1.
- AC AND DC VOLTAGES READ TO GROUND WITH A DVM UNDER THE FOLLOWING CONDITIONS:  
UNIT AT RATED LINE VOLTAGE  
8 OHM RESISTIVE LOAD CONNECTED AT SPEAKER JACK  
NO FOOTSWITCH CONNECTED  
NO INPUT SIGNAL ON DC TESTS (TP = SQUARE BOXES).  
ADDITIONAL NOTES FOR AC TESTS (TP = OVAL):  
INPUT TO J1 SET TO 12.5mV SINE WAVE AT 1 KHZ.  
REVERB CONTROL AT "0"  
REVERB P/N 0064063000 DISCONNECTED AND J3 AND J4 JUMPERED.  
VOL, BASS, TREBLE AT 5.5.  
SPEED/INTENSITY AT 0, EXCEPT FOR TP35 TEST; SET AT 5.5.
- BIAS IS SET BY MEASURING VOLTAGE AT TP16 (WITH NO SIGNAL APPLIED & TUBES WARMED UP).  
SET VOLTMETER TO mV RANGE. SET 6V6 BIAS CURRENT BY ADJUSTING BIAS CONTROL POT R22.  
SPECIFIED VOLTAGE IS 2.3mV AT TP16.
- ALL POLARIZED CAPACITORS IN uF, 20x; 50V MINIMUM.
- ALL UNPOLARIZED CAPACITORS IN uF, 10x OR BETTER; 50V MINIMUM. (POWER SUPPLY BYPASS CAPACITORS ARE 20x).
- ALL RESISTORS IN OHMS, 5x; 1/2W, UNLESS NOTED.

NOTES: (UNLESS OTHERWISE NOTED)

THIS DOCUMENT CONTAINS INFORMATION OF A PROPRIETARY NATURE TO FENDER MUSICAL INSTRUMENTS AND IS SUBMITTED TO YOU IN CONFIDENCE AND SHALL NOT BE DISCLOSED OR TRANSMITTED TO OTHERS WITHOUT AUTHORIZATION FROM FENDER MUSICAL INSTRUMENTS.

**Fender** MUSICAL INSTRUMENTS  
Corona, CA U.S.A.

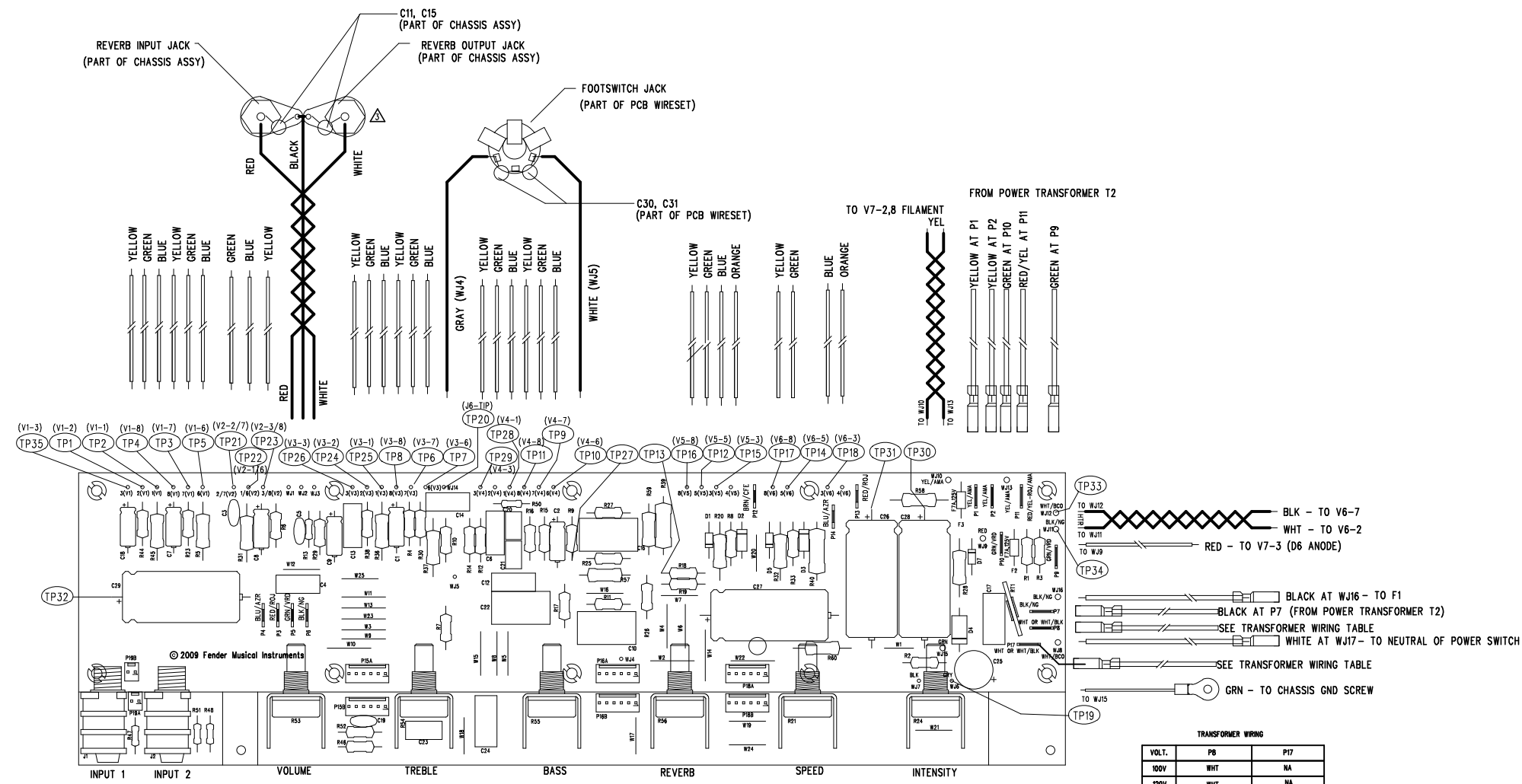
TITLE: SERVICE DIAGRAM, COMBINED (schematic)  
'68 CUSTOM PRINCETON REVERB

CHECKED BY: \_\_\_\_\_ DATE: \_\_\_\_\_  
APPROVED BY: \_\_\_\_\_ DATE: \_\_\_\_\_  
DRAWN: GIT'LO ENGR: GIT'LO  
DATABASE FILE: Z2846S.SCH

SIZE: **D** DRAWING NUMBER: **7701465000** REV. **C**

RELEASE DATE: 25-JUN-2013 SHEET: 1 OF 2

REVISIONS			
REV.	DESCRIPTION	DATE	APPROVED
B	PR2846	22-JUL-13	S M M
C	EC13001	29-OCT-13	S M M



FLM/DWC: SERVICE DIAGRAM  
 DATABASE: Z2846P.PCB DATE: 20-JUN-13

1. SEE SHEET 1 FOR PRIMARY WIRING, TEST CONDITIONS AND TEST POINT VALUES.  
 NOTES: (UNLESS OTHERWISE NOTED)

THIS DOCUMENT CONTAINS INFORMATION OF A PROPRIETARY NATURE TO FENDER MUSICAL INSTRUMENTS AND IS SUBMITTED TO YOU IN CONFIDENCE AND SHALL NOT BE DISCLOSED OR TRANSMITTED TO OTHERS WITHOUT AUTHORIZATION FROM FENDER MUSICAL INSTRUMENTS.

**Fender** MUSICAL INSTRUMENTS  
 Corona, CA U.S.A.

CHECKED BY: \_\_\_\_\_ DATE: \_\_\_\_\_  
 APPROVED BY: \_\_\_\_\_ DATE: \_\_\_\_\_  
 DRAWN: GIT'LO ENGR: GIT'LO DATABASE FILE: Z2846P.PCB

TITLE: SERVICE DIAGRAM, COMBINED (PCB assy)  
 68 CUSTOM PRINCETON REVERB AMPLIFIER

SIZE: D DRAWING NUMBER: 7701465000 REV. C  
 RELEASE DATE: 24-JUN-13 SHEET 2 OF 2