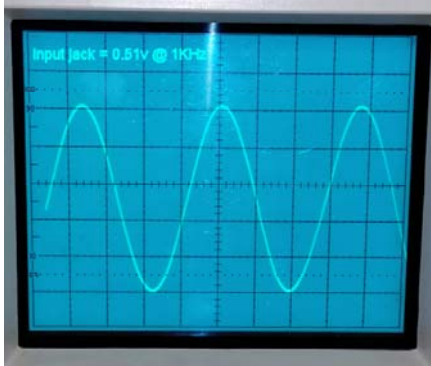
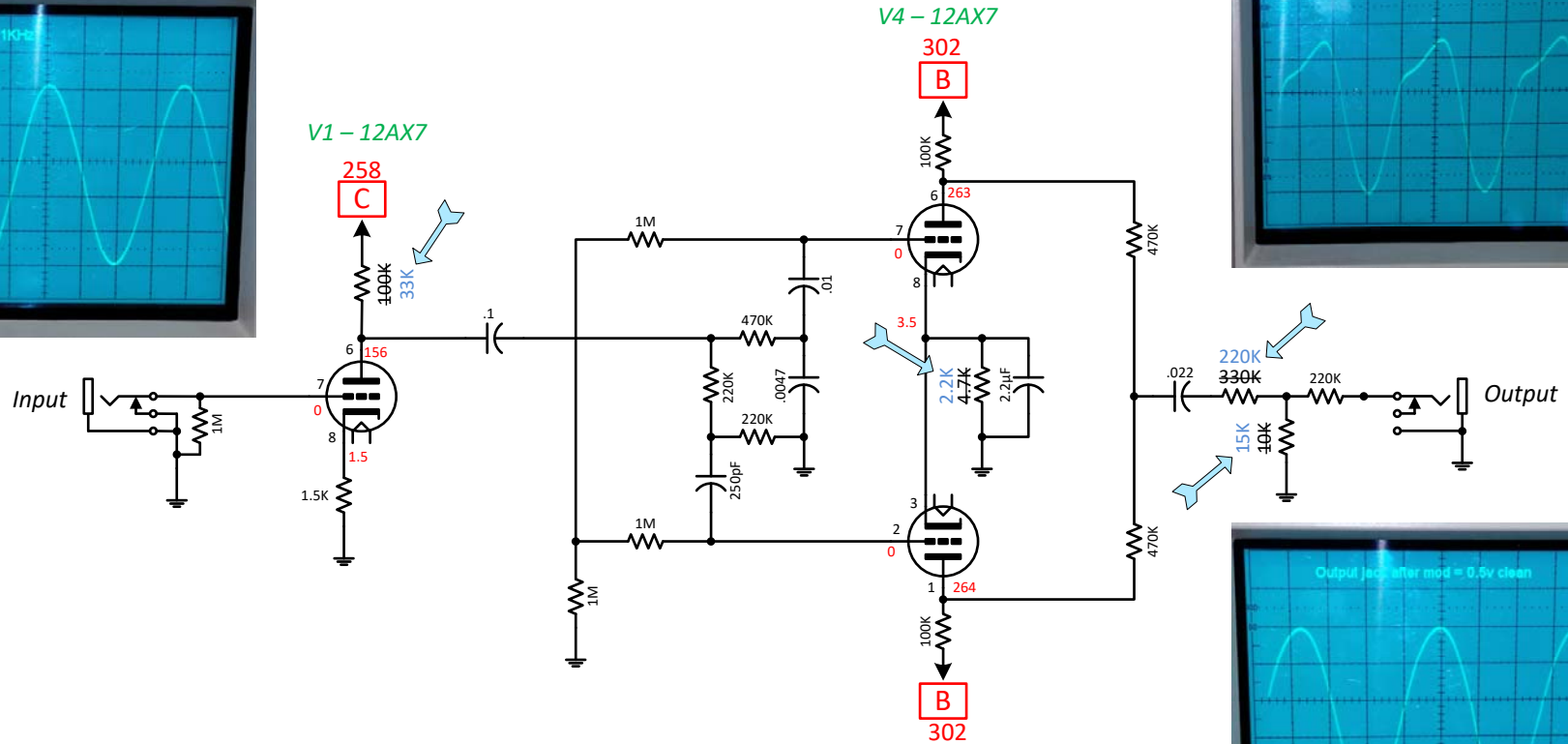


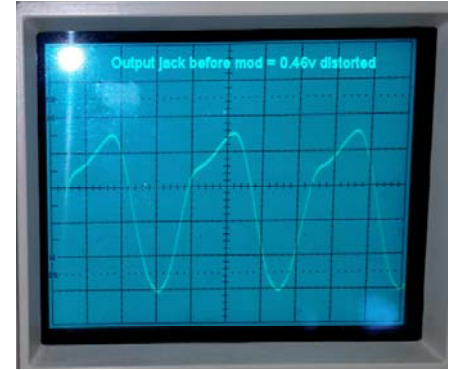
0.51v @ 1KHz input test signal



Change the four indicated resistors to provide undistorted output



0.46v distorted output before mod



0.5v clean output after mod

