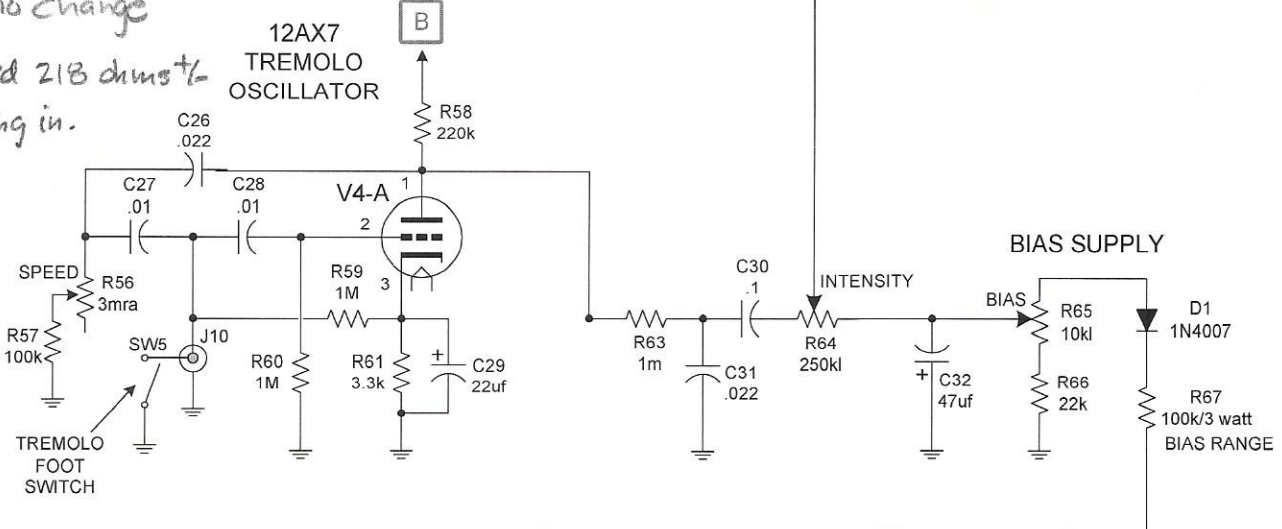


R47 = 23.8 ohms
 R48 = 216.6 ohms

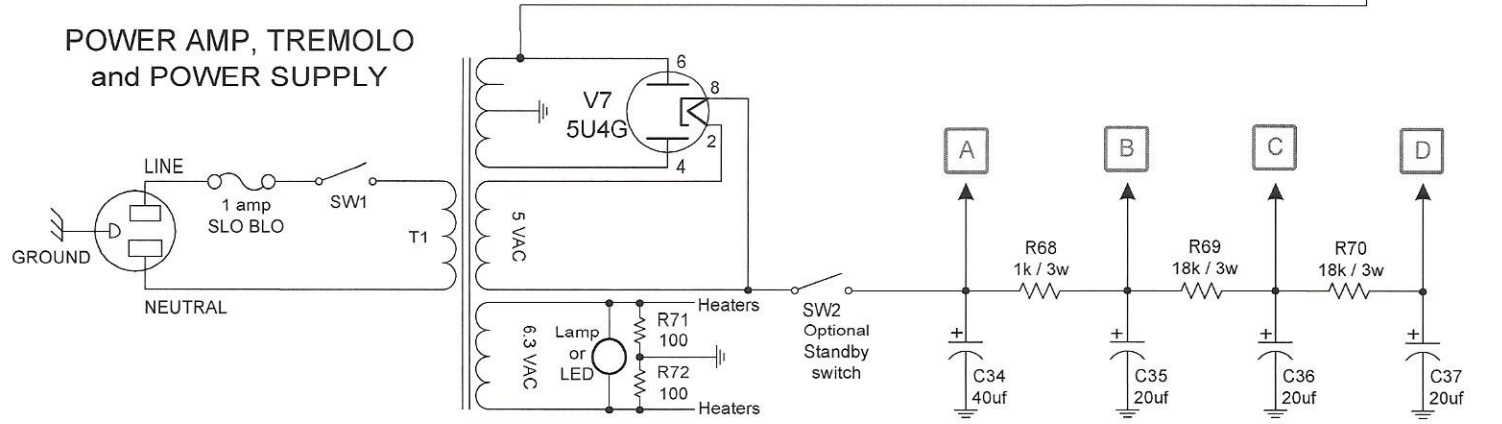
ON THE BOARD, NO POWER
 already replaced

R47 once, no change

new
 R47 measured 218 ohms +/-
 prior to putting in.



POWER AMP, TREMOLO
 and POWER SUPPLY



Multi Section Filter Cap
 40x20x20x20 / 475v

Hoffman Princeton Reverb
www.hoffmanamps.com

Thanks to Sluckey on the Hoffmamps forum for creating the original schematic