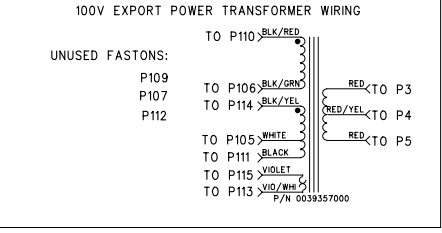
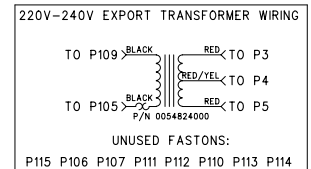
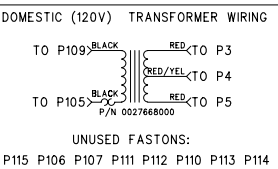
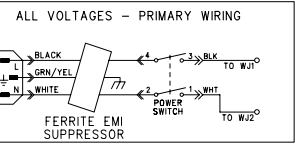


REVISIONS			
REV.	DESCRIPTION	DATE	APPROVED
A	PR 574	16-MAR-04	L.E.L.
B	EC 3097	20-MAY-04	L.E.L.

ALL FASTONS ARE 0.250" EXCEPT P105, P111-112, P115 WHICH ARE 0.187"

F1 FUSE USAGE TABLE	
100V - 120V	220V - 230V
F2A (250V)	F1A (250V)
AUSTRALIA 240V ONLY	
F1A (250V)	



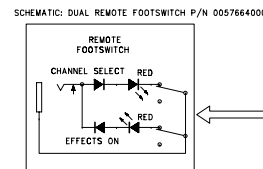
8. UNUSED: C29,67,77,78,90,94,92,5,6,P9-104,P108,R121,116,129-11,TP19,J14.
 7. LAST REFERENCE DESIGNATOR: C100, D57, F1, J7, P115,Q27, PWR,R159, R1, S1, TP27,U12,W1,W2
 6. AC AND DC VOLTAGES ARE READ TO GROUND WITH A DVM UNDER THE FOLLOWING CONDITIONS:
 UNIT AT RATED LINE VOLTAGE
 8 OHM RESISTIVE LOAD CONNECTED TO P1/P2
 NO FOOTSWITCH CONNECTED
 CH SEL SWITCH PUSHED IN (RED LED ON)
 FX LEVEL CONTROL AT FULL CCK, DRIVE CONTROL AT "3"
 ALL OTHER CONTROLS AT "0 1/2", TAMBRE FILTER "FLAT"
 JACK INSERTED AT J1
 NO INPUT SIGNAL (TP1-12)
 ADDITIONAL CONDITIONS (TP15-27):
 90V 5HZ SINEWAVE INPUT TO J1
 5. THIS SCHEMATIC IS FOR PCB FABRICATION P/N 0062127000 AND PCB ASSEMBLY P/N 0062128000.
 4. ALL DIODES ARE 1N4448.
 3. ALL POLARIZED CAPACITORS IN UF, 10% OR BETTER; 50V MINIMUM.
 2. ALL UNPOLARIZED CAPACITORS IN UF, 10% OR BETTER; 50V MINIMUM.
 1. ALL RESISTORS IN OHMS, 5% 1/4W

THIS DOCUMENT CONTAINS INFORMATION OF A PROPRIETARY NATURE TO FENDER MUSICAL INSTRUMENTS AND IS SUBMITTED TO YOU IN CONFERENCE AND SHALL NOT BE DISCLOSED OR TRANSMITTED TO OTHERS WITHOUT AUTHORIZATION FROM FENDER MUSICAL INSTRUMENTS.

Fender MUSICAL INSTRUMENTS
Corona, CA USA

CHECKED BY: _____
 DATE: _____
 APPROVED BY: _____
 DATE: _____
 DRAWN: L.E.L. ENGR: LORENSEN
 DATABASE FILE: Z5745.SCH

TITLE: SERVICE DIAGRAM, COMBINED (schematic)
PRINCETON 650
 SIZE: DRAWING NUMBER: _____
 D 0062129000 B
 RELEASE DATE: 16-MAR-03 SHEET: 1 OF 2



SCHEMATIC: DUAL REMOTE FOOTSWITCH P/N 0057664000

TO SPEAKER P/N 0025923000

OUTPUT POWER:
 INJECT 1WZ SIGNAL INTO J4
 SIGNAL TO VERIFY 65 WATTS
 R.M.S. AT 5% T.H.D. INTO 8 OHM
 RESISTIVE LOAD AT RATED
 LINE VOLTAGE.

8

7

6

5

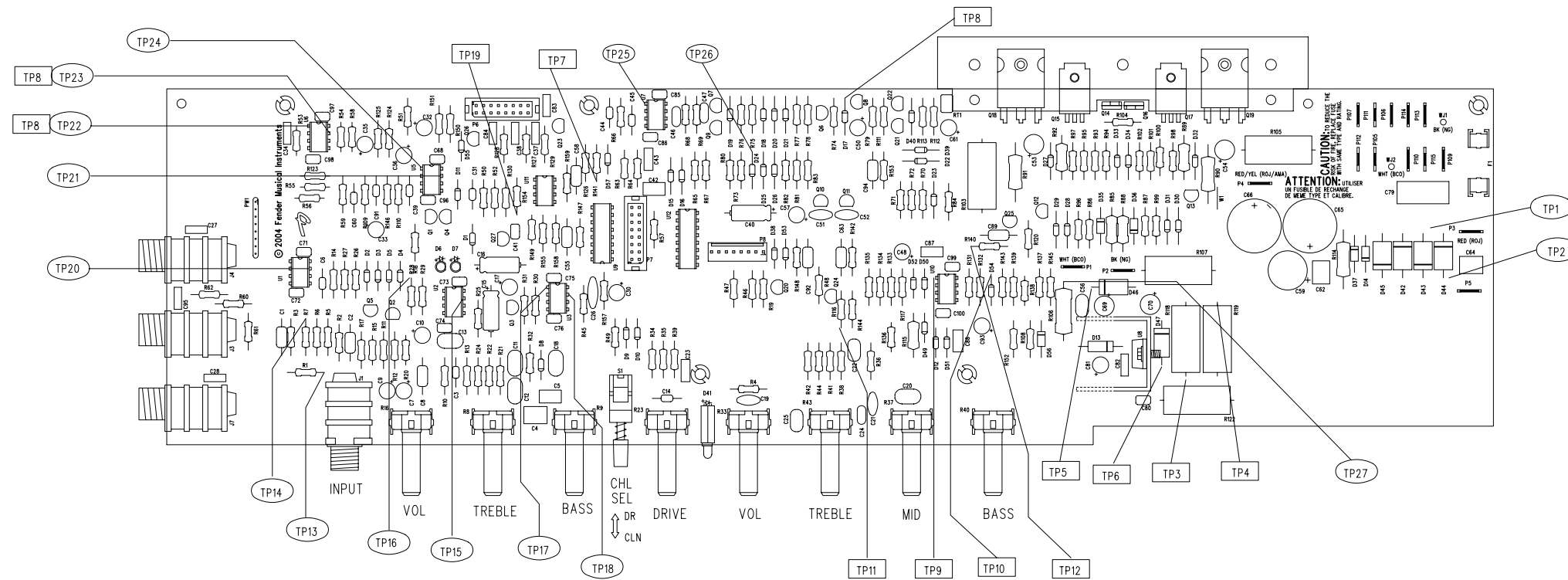
4

3

2

1

REVISIONS			
REV.	DESCRIPTION	DATE	APPROVED
A	PR574	16-MAR-04	L E L
B	EC 3097	20-MAY-04	L E L



FILM/DWG: SERVICE DIAGRAM
 DATABASE: Z574P.PCB DATE: 20-MAY-04

<small>THIS DOCUMENT CONTAINS INFORMATION OF A PROPRIETARY NATURE TO FENDER MUSICAL INSTRUMENTS AND IS SUBMITTED TO YOU IN CONFIDENCE AND SHALL NOT BE DISCLOSED OR TRANSMITTED TO OTHERS WITHOUT AUTHORIZATION FROM FENDER MUSICAL INSTRUMENTS.</small>		MUSICAL INSTRUMENTS Corona, CA U.S.A.	
CHECKED BY: _____ DATE: _____		TITLE: SERVICE DIAGRAM, COMBINED (PCB assy) PRINCETON 650 MAIN PCB	
APPROVED BY: _____ DATE: _____		SIZE: D	DRAWING NUMBER: 0062129000
DRAWN: P. CORBIN	ENGR: L. LORENSEN	RELEASE DATE: 16-MAR-04	SHEET 2 OF 2
DATABASE FILE: Z574P.PCB			

2. MICRO-DSP ASSEMBLY P/N 0057801008 MUST BE CONNECTED TO P6 FOR TEST.
 1. SEE SHEET 1 FOR PRIMARY WIRING, TEST CONDITIONS AND TESTPOINT VALUES.
 NOTES: (UNLESS OTHERWISE NOTED)

8

7

6

5

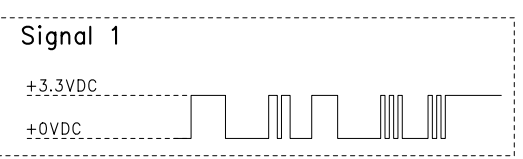
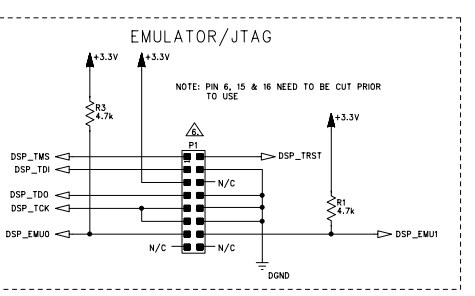
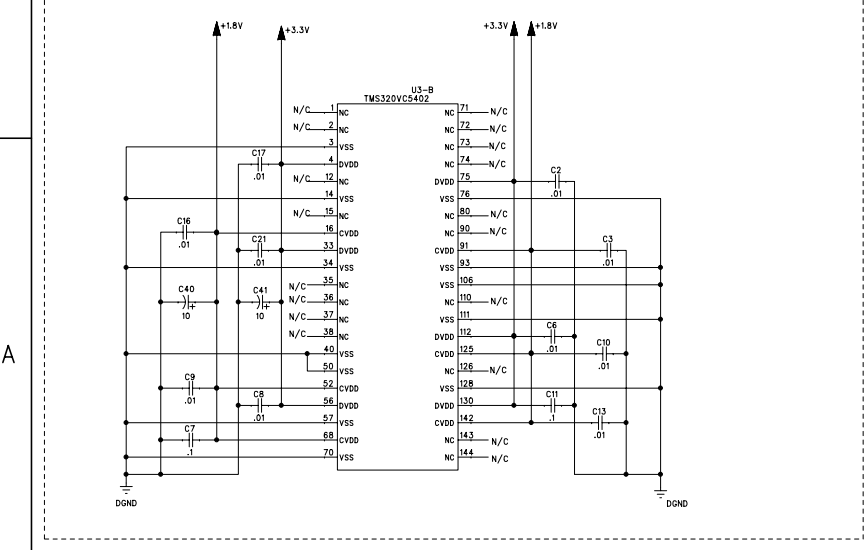
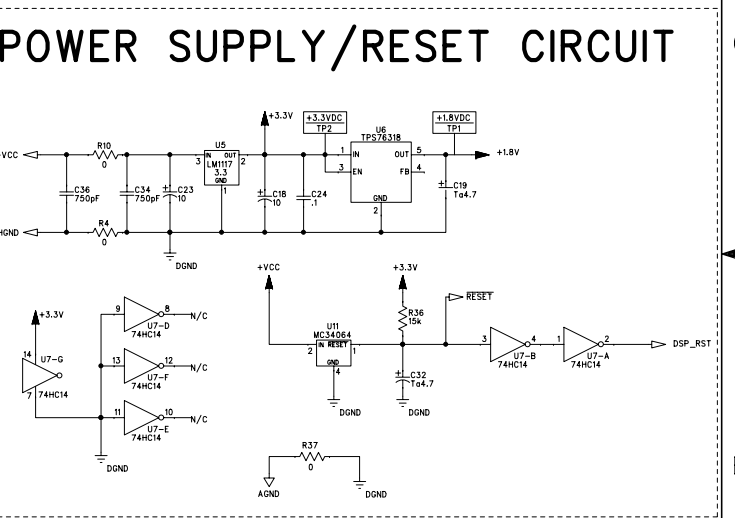
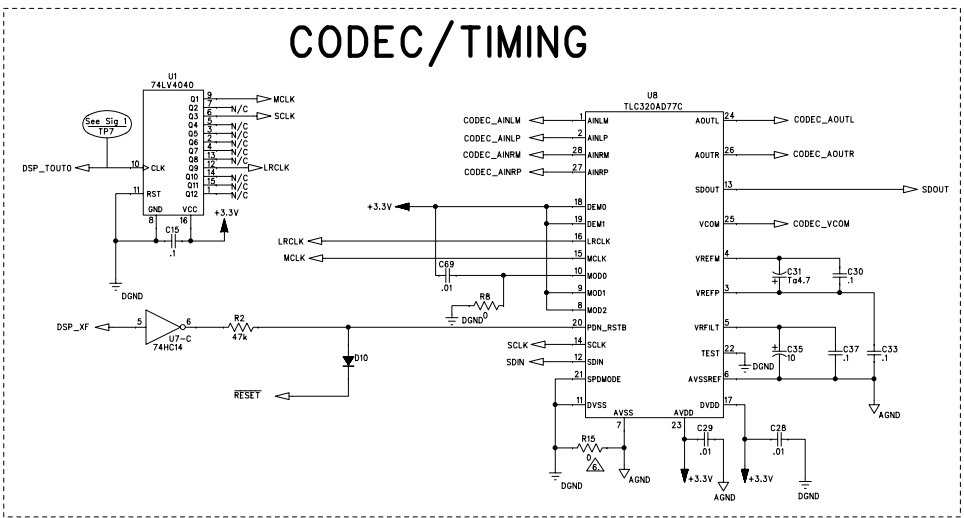
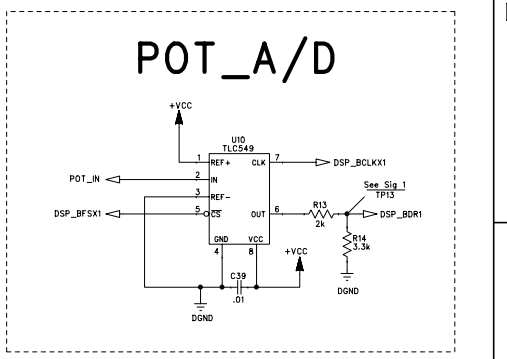
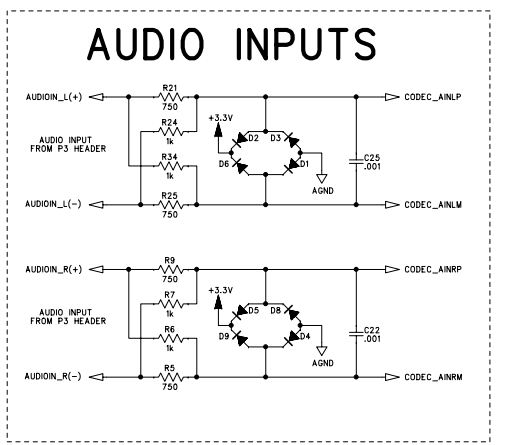
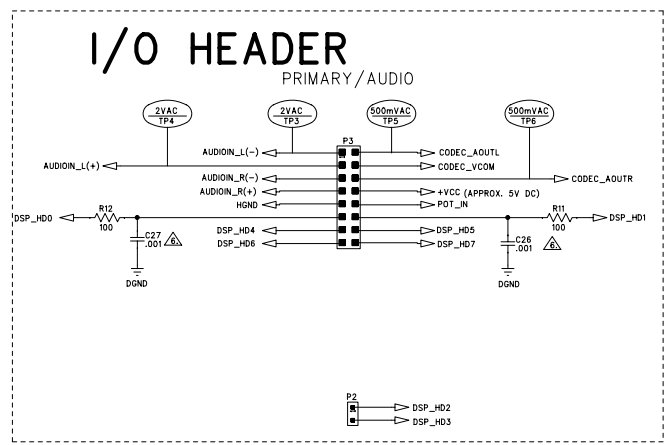
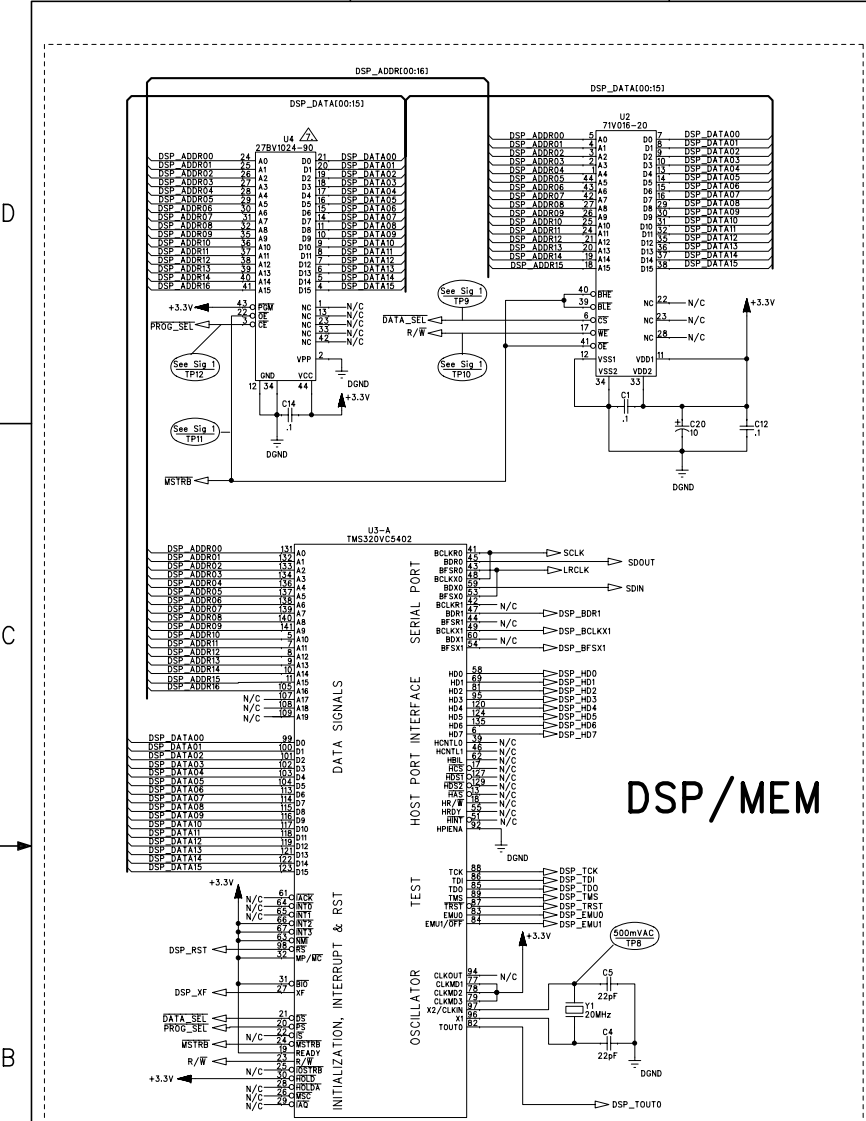
4

3

2

1

REVISIONS			
REV.	DESCRIPTION	DATE	APPROVED
A	PR480	29-NOV-01	J T L
B	EC 2743	07-MAR-02	J T L
C	EC 2789	10-JUN-02	J C S
D	PR542	25-APR-03	R J D



- NOTES: (UNLESS OTHERWISE NOTED)
- INSTALL IC IN SOCKET. FENDER P/N 0056585005
 - DO NOT STUFF C26-27, P1, R15.
 - THIS SCHEMATIC IS FOR PCB FABRICATION P/N 0057284000 AND PCB ASSEMBLY P/N 0057285000.
 - ALL DIODES ARE 1N4148.
 - ALL UNPOLARIZED CAPACITORS IN μ F, 20% OR BETTER; 16V MINIMUM. (POWER SUPPLY BYPASS CAPACITORS ARE 20%).
 - ALL RESISTORS IN OHMS, 5% 1/10W.

THIS DOCUMENT CONTAINS INFORMATION OF A PROPRIETARY NATURE TO FENDER MUSICAL INSTRUMENTS AND IS SUBMITTED TO YOU IN CONFERENCE AND SHALL NOT BE DISCLOSED OR TRANSMITTED TO OTHERS WITHOUT AUTHORIZATION FROM FENDER MUSICAL INSTRUMENTS.

Fender MUSICAL INSTRUMENTS
Corona, CA U.S.A.

CHECKED BY: _____
DATE: _____

APPROVED BY: _____
DATE: _____

DRAWN: J. Jimenez ENGR: J. Lamb
DATABASE FILE: Z4815.SCH

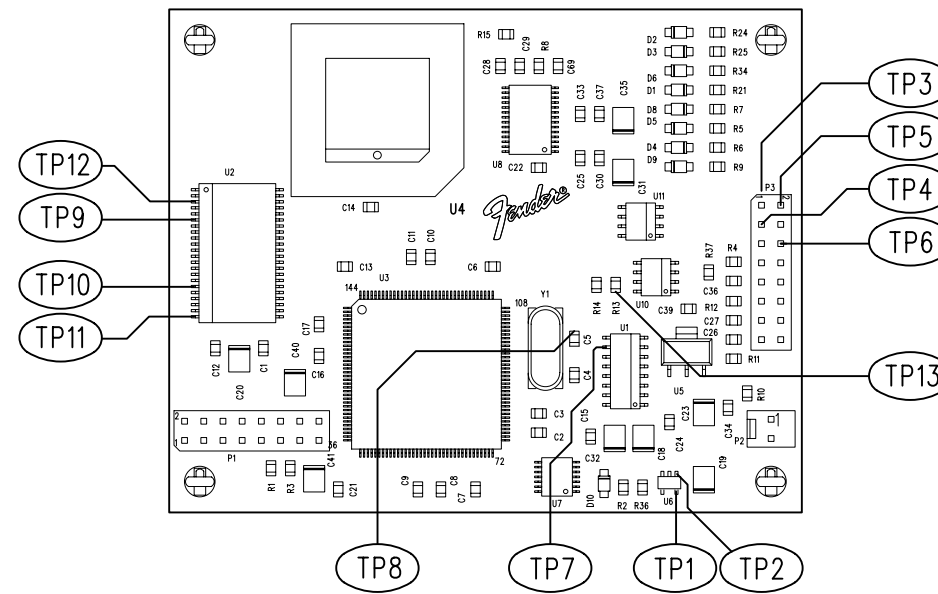
TITLE: SERVICE DIAGRAM, COMBINED (schematic) MICRO DSP

SIZE: D
DRAWING NUMBER: 0057283000
RELEASE DATE: 29-NOV-01 SHEET: 1 OF 2

REV. _____

REVISIONS


REV.	DESCRIPTION	DATE	APPROVED
A	PR480	30-NOV-01	J T L
B	EC 2743	07-MAR-02	J T L
C	EC 2789	10-JUN-02	J C S
D	PR542	25-APR-03	R J D



FILM/DWG: SERVICE DIAGRAM
 DATABASE: Z481P.PCB DATE: 25-APR-03

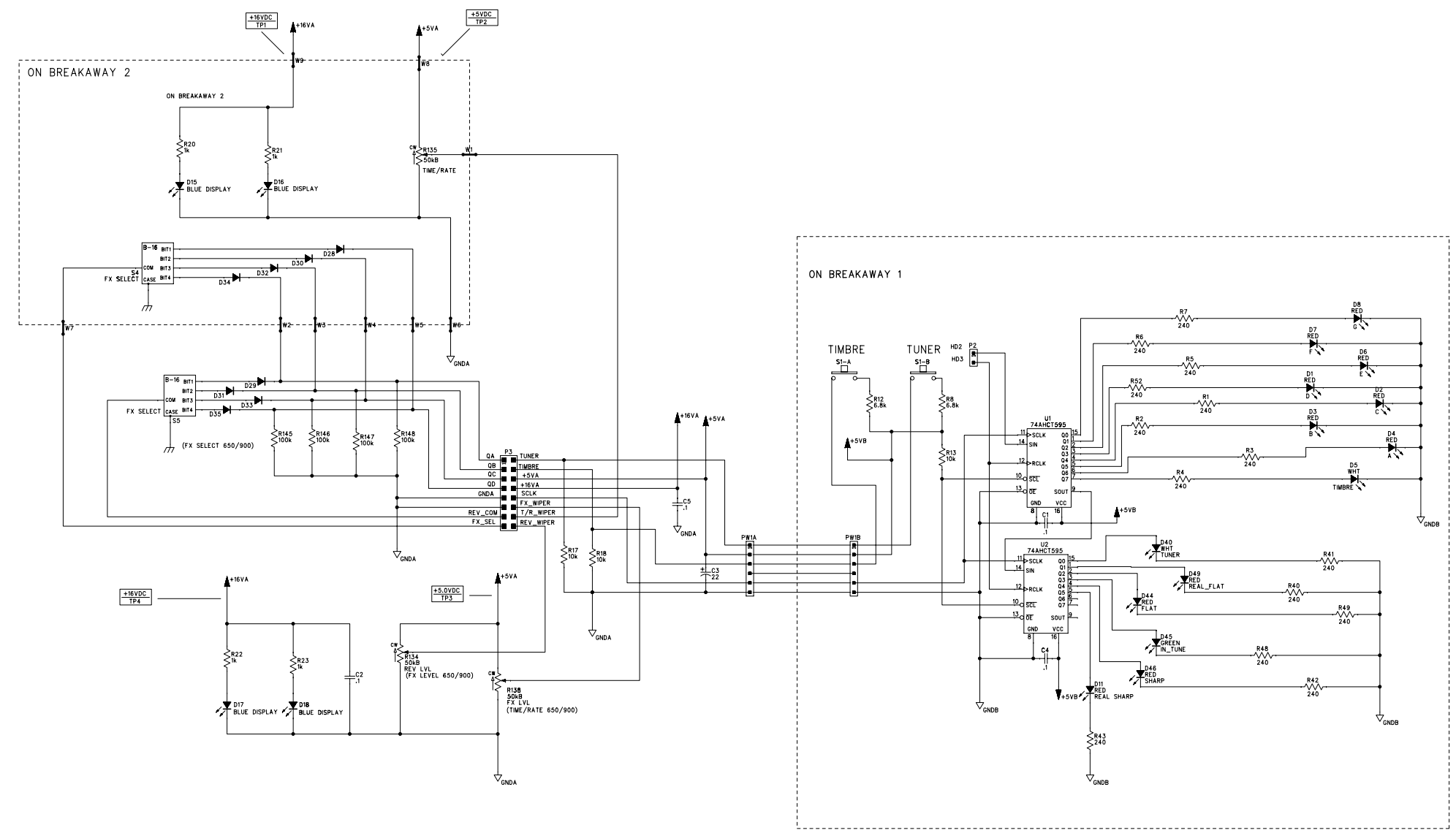
1. SEE SHEET 1 FOR TEST CONDITIONS AND TEST POINT VALUES.

NOTES: (UNLESS OTHERWISE NOTED)

THIS DOCUMENT CONTAINS INFORMATION OF A PROPRIETARY NATURE TO FENDER MUSICAL INSTRUMENTS AND IS SUBMITTED TO YOU IN CONFIDENCE AND SHALL NOT BE DISCLOSED OR TRANSMITTED TO OTHERS WITHOUT AUTHORIZATION FROM FENDER MUSICAL INSTRUMENTS.		 MUSICAL INSTRUMENTS Corona, CA U.S.A.	
CHECKED BY: _____ DATE: _____		TITLE: SERVICE DIAGRAM, COMBINED (PCB assy) uDSP SERIES	
APPROVED BY: _____ DATE: _____		SIZE B	DRAWING NUMBER 0057283000
DRAWN: J. Jimenez	ENGR: J. Lamb	REV. D	
DATABASE FILE: Z481P.PCB		RELEASE DATE: 30-NOV-01	SHEET 2 OF 2

8 7 6 5 4 3 2 1

REVISIONS			
REV.	DESCRIPTION	DATE	APPROVED
A	PR572	16-MAR-04	LEL



- NOTES: (UNLESS OTHERWISE NOTED)
1. ALL RESISTORS IN OHMS, 5% 1/4W.
 2. ALL UNPOLARIZED CAPACITORS IN uF, 10% OR BETTER; 50V MINIMUM. (POWER SUPPLY BYPASS CAPACITORS ARE 20%).
 3. ALL POLARIZED CAPACITORS IN uF, 20%; 50V MINIMUM.
 4. ALL DIODES ARE 1N4448.
 5. THIS SCHEMATIC IS FOR PCB FABRICATION P/N 0055367000 AND PCB ASSEMBLIES P/N 0055367000 and 0064106000.
 6. ITEMS ON BREAKAWAY 2 ARE NOT STUFFED FOR PRINCETON 650 AND DELUXE 900.
 7. ALL VOLTAGES ARE +/- 10%

THIS DOCUMENT CONTAINS INFORMATION OF A PROPRIETARY NATURE TO FENDER MUSICAL INSTRUMENTS AND IS SUBMITTED TO YOU IN CONFIDENCE AND SHALL NOT BE DISCLOSED OR TRANSMITTED TO OTHERS WITHOUT AUTHORIZATION FROM FENDER MUSICAL INSTRUMENTS.

Fender MUSICAL INSTRUMENTS
Corona, CA U.S.A.

CHECKED BY: _____
DATE: _____

APPROVED BY: _____
DATE: _____

DRAWN: LORENZEN ENGR: LORENZEN
DATABASE FILE: Z572P25.SCH

TITLE: SERVICE DIAGRAM, COMBINED (schematic)
TUNER/TIMBRE DISPLAY PCB

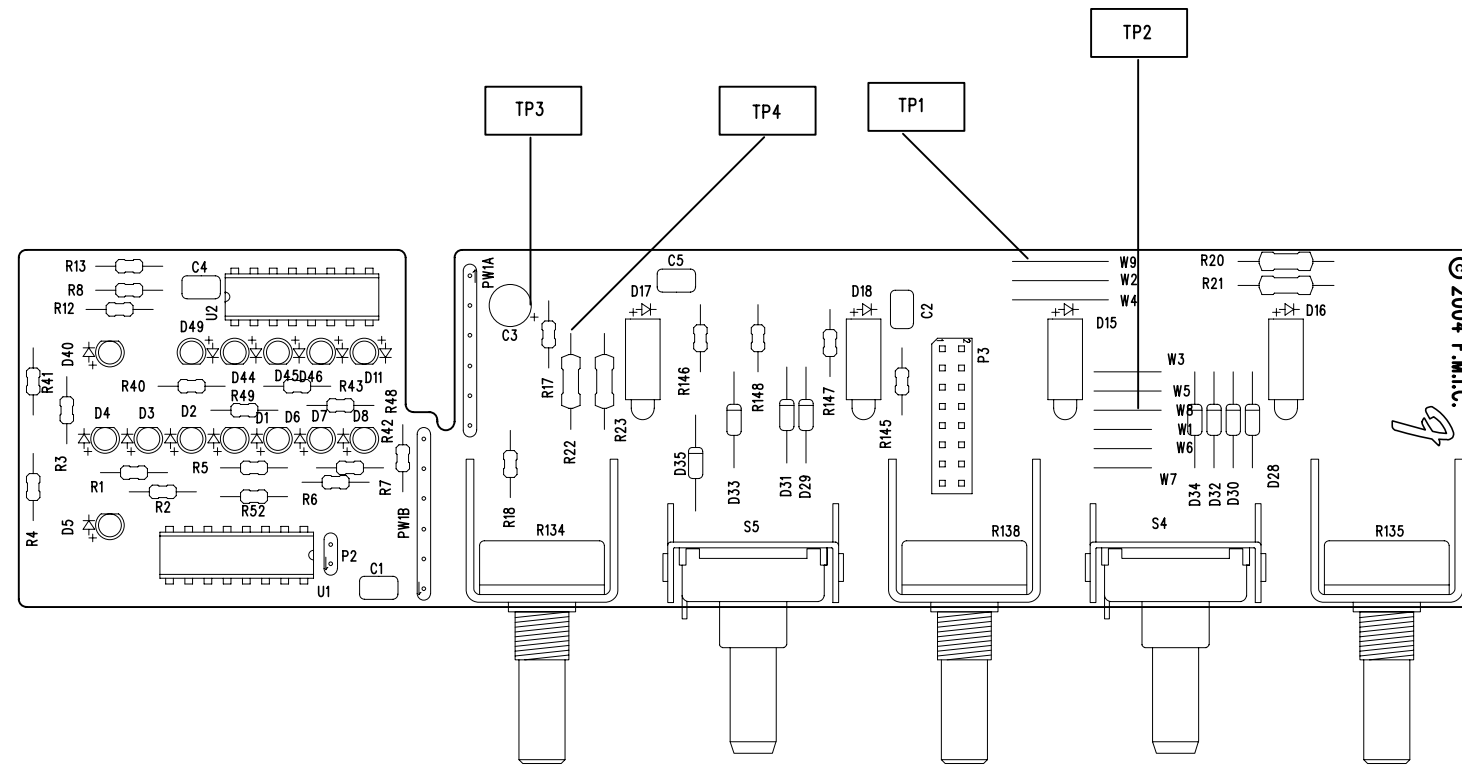
SIZE: **D** DRAWING NUMBER: **0054426000** REV. **A**

RELEASE DATE: 16-MAR-03 SHEET: 1 OF 2

8 7 6 5 4 3 2 1


REVISIONS

REV.	DESCRIPTION	DATE	APPROVED
A	PR572	16-MAR-04	L.E.L.



FILM/DWG: SERVICE DIAGRAM
 DATABASE: Z572P2.PCB DATE: 16-MAR-04

NOTES: (UNLESS OTHERWISE NOTED)

THIS DOCUMENT CONTAINS INFORMATION OF A PROPRIETARY NATURE TO FENDER MUSICAL INSTRUMENTS AND IS SUBMITTED TO YOU IN CONFIDENCE AND SHALL NOT BE DISCLOSED OR TRANSMITTED TO OTHERS WITHOUT AUTHORIZATION FROM FENDER MUSICAL INSTRUMENTS.		 MUSICAL INSTRUMENTS Corona, CA U.S.A.	
CHECKED BY: _____ DATE: _____		TITLE: SERVICE DIAGRAM, COMBINED (PCB assy) TUNER/VOICE DISPLAY PCB	
APPROVED BY: _____ DATE: _____		SIZE B	DRAWING NUMBER 0054426000
DRAWN: PCORBIN ENGR: LORENZEN	DATABASE FILE: Z572P2.PCB	RELEASE DATE: 16-MAR-04	REV. A SHEET 2 OF 2