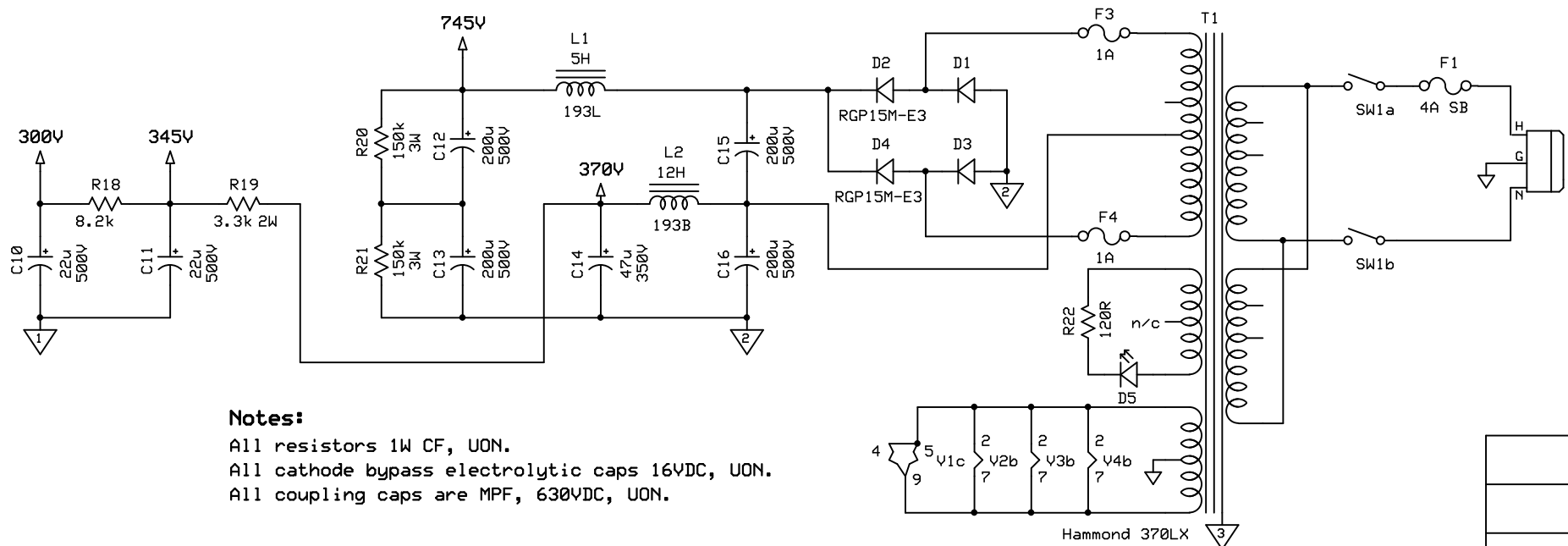


Tube Voltage Chart

Pin	V1	V2	V3	V4
1				
2	g1	fil	fil	fil
3				
4	fil			
5	fil	g1	g1	g1
6				
7	g1	fil	fil	fil
8				
9	fil	n/a	n/a	n/a



**Notes:**  
 All resistors 1W CF, UON.  
 All cathode bypass electrolytic caps 16VDC, UON.  
 All coupling caps are MPF, 630VDC, UON.