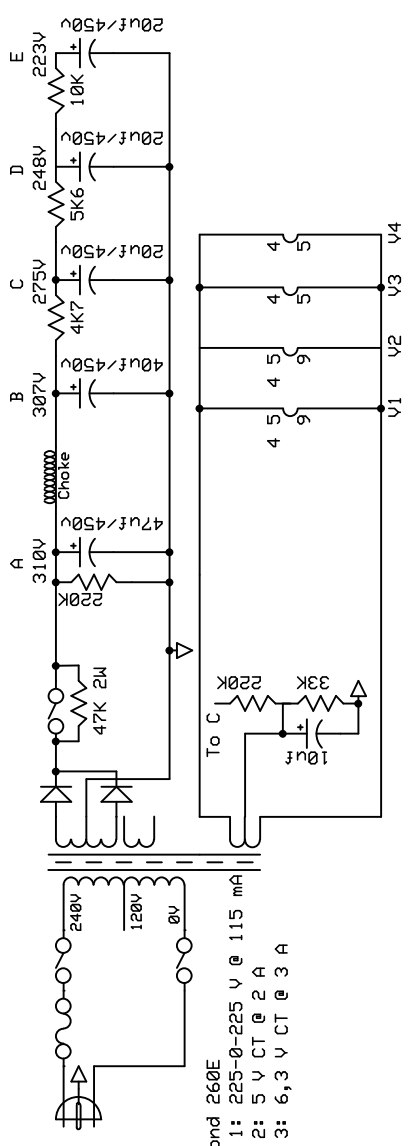


	1	2	3	4	5	6	7	8	9
V1 153			1.54	6.3	6.3	132		1.02	6.3
V1 135			2.86	6.3	6.3	248	138	145	6.3
V1 26		25		6.3	6.3	310	301	71	183
V1 26		25		6.3	6.3	310	301	71	174



Hammond 260E  
 Sec. 1: 225-0-225 V @ 115 mA  
 Sec. 2: 5 V CT @ 2 A  
 Sec. 3: 6,3 V CT @ 3 A