

Hoffman AB763 - 1 channel
www.hoffmanamps.com

Thanks to Sluckey on the Hoffmamps forum for creating the original schematic

POWER AMP, TREMOLO
 and POWER SUPPLY

FRAGMENT STRING

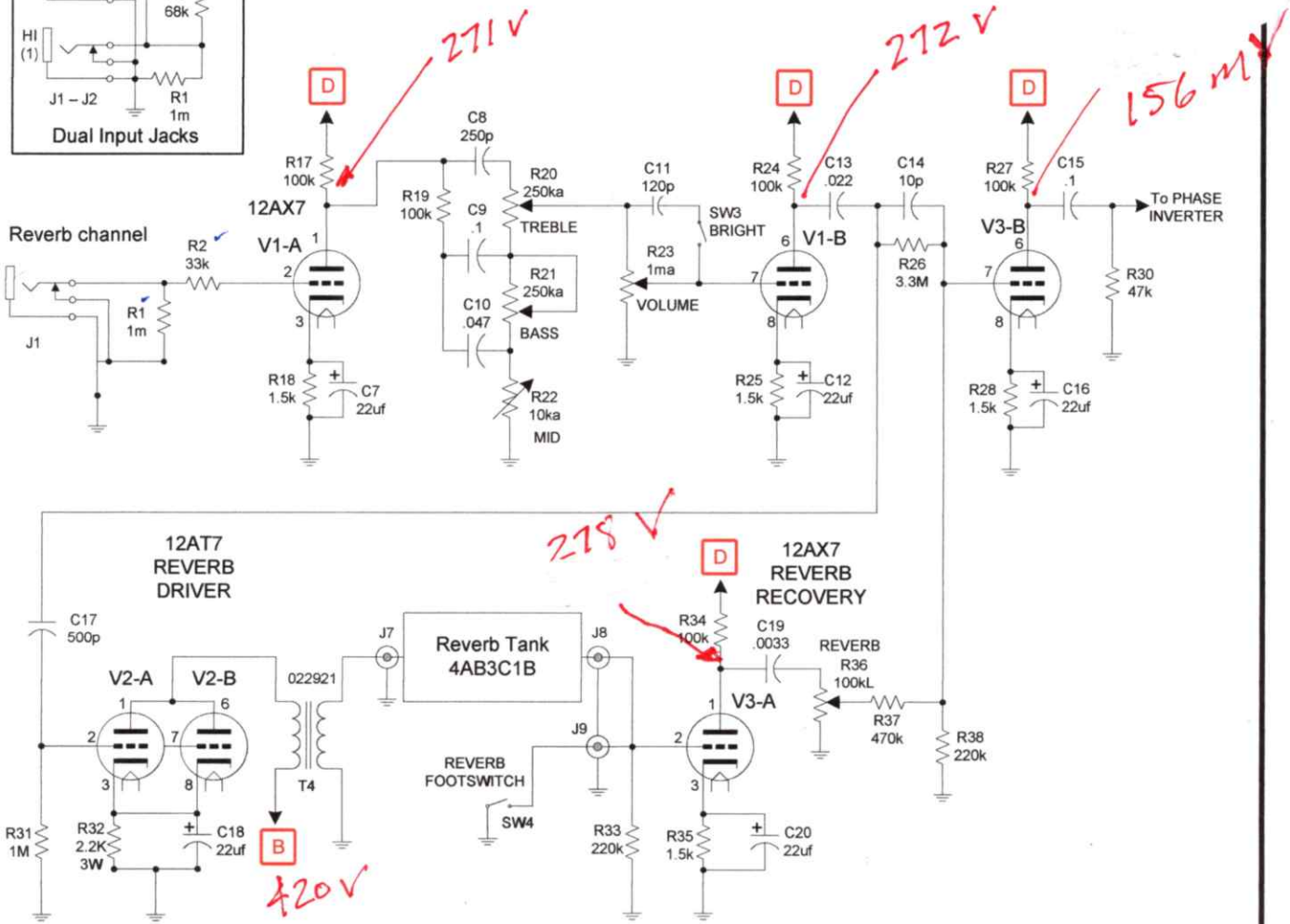
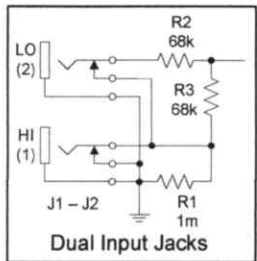
V7 6.12

V6

⋮

V1 6.08V

VOLTAGES 3-20-18



Hoffman AB763 - 1 channel
www.hoffmanamps.com

PREAMP and REVERB

Thanks to Sluckey on the Hoffmamps forum for creating the original schematic