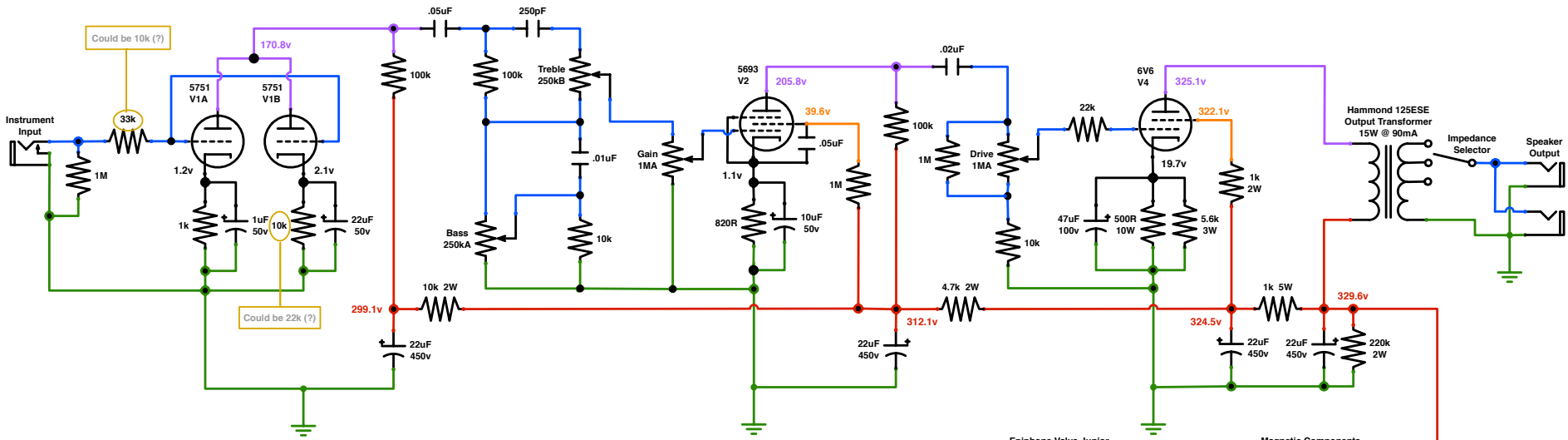


**Long Time No SE
Revision 6.1
01-31-16**



**12AX7 Parallel/Split Cathode Input
Band Master Treble/Bass Tone Stack
5693 Driver w/ Screen grid @ 40v
Single Ended 6V6 Power Amp
Choke (CLC) Pi Filter**

**All voltages measured
relative to chassis ground
Mains voltage 120.5 vAC**

**Not Shown:
6.3v AC Heater wiring
w/ artificial center tap
including hum balance pot**