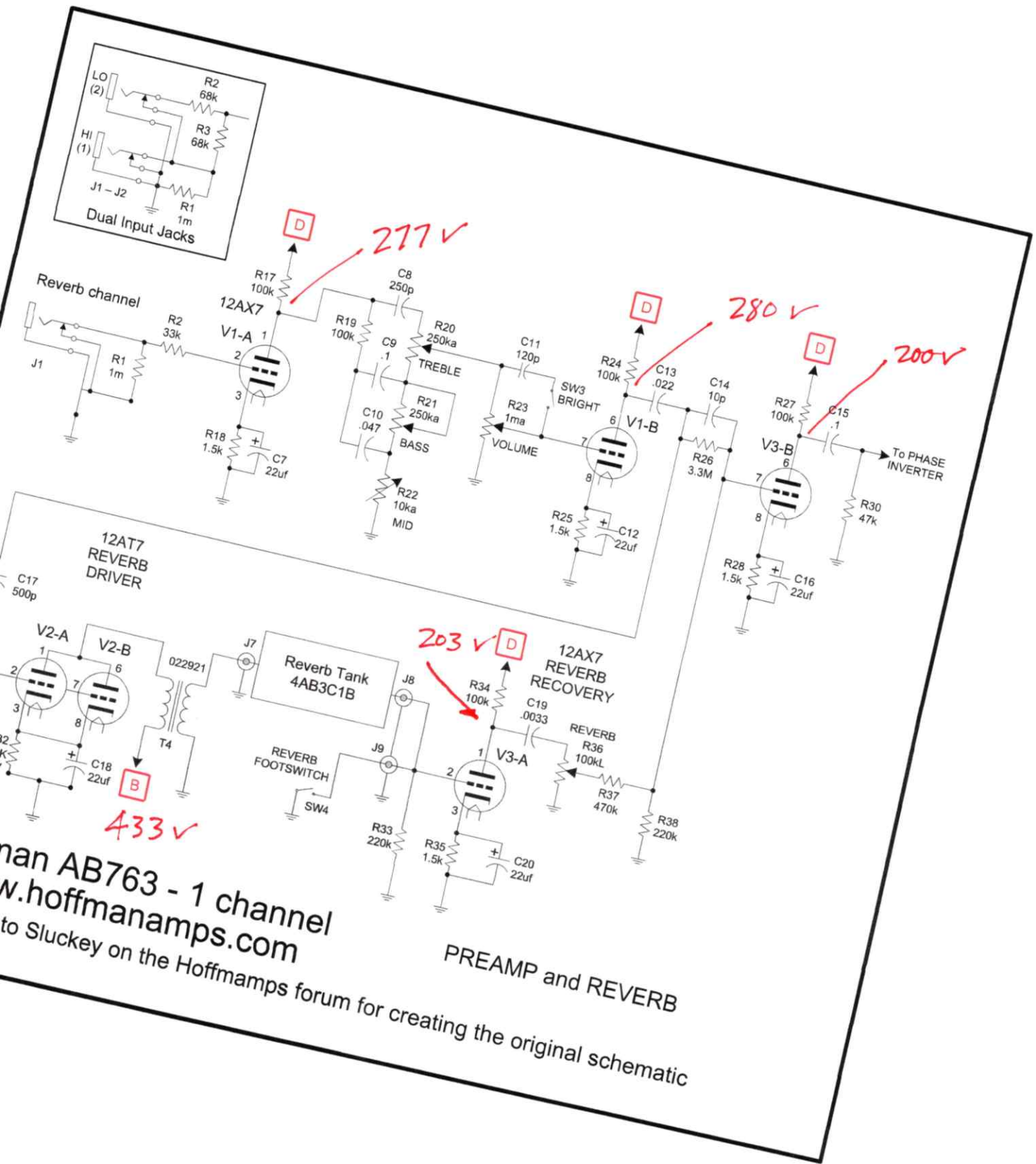


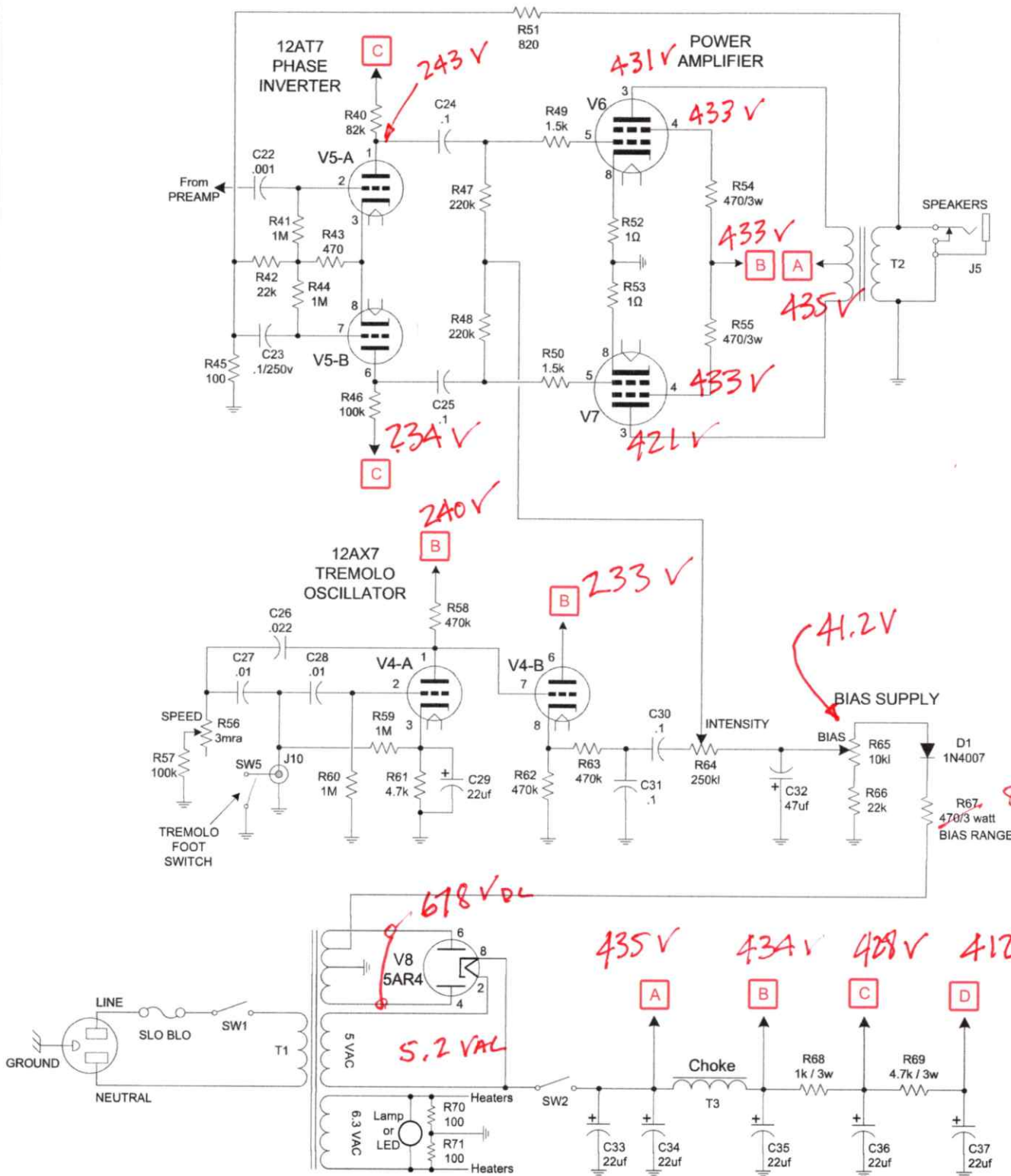
VOLTAGES TAKEN 3-26-18



man AB763 - 1 channel
w.hoffmanamps.com

to Sluckey on the Hoffmamps forum for creating the original schematic

PREAMP and REVERB

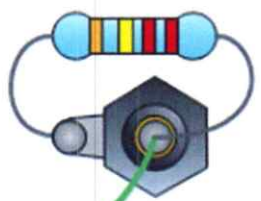


Hoffman AB763 - 1 channel
www.hoffmanamps.com

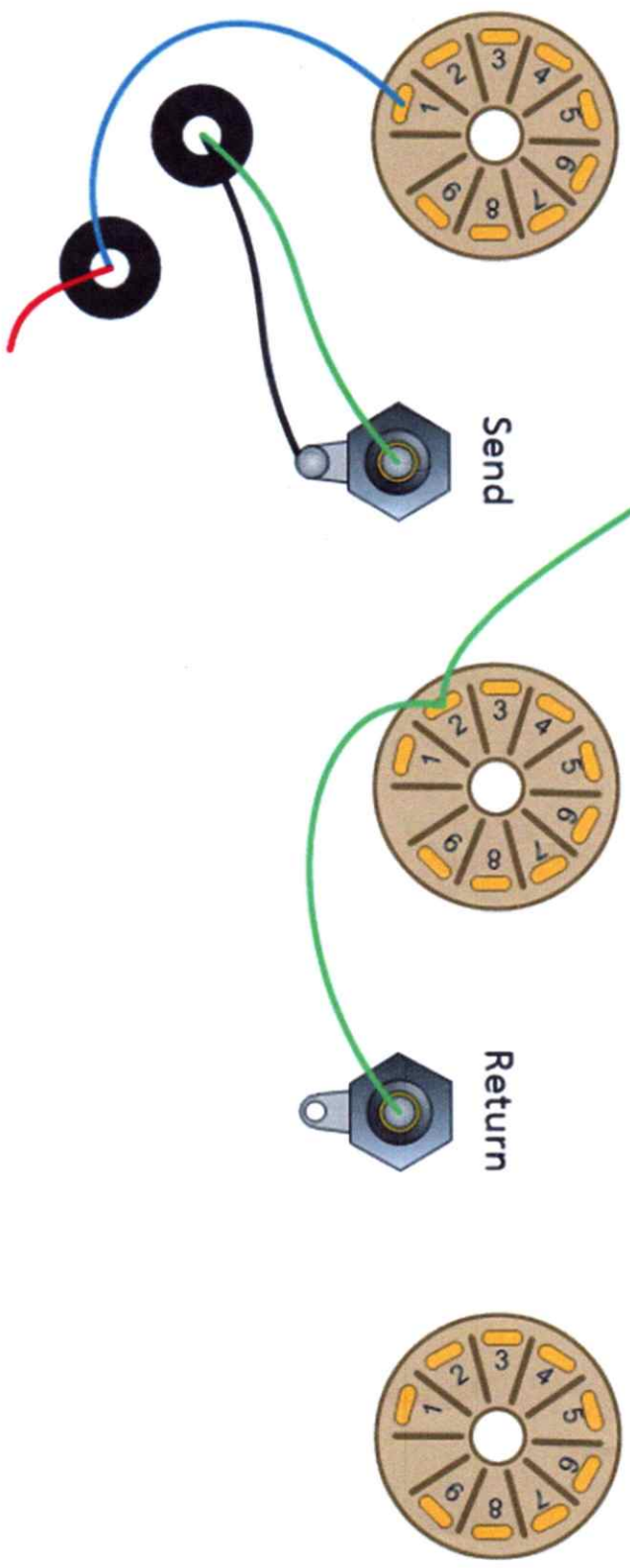
POWER AMP, TREMOLO
 and POWER SUPPLY

Thanks to Sluckey on the Hoffmamps forum for creating the original schematic

Footswitch



Connect resistor between center pin and ground lug.
Connect green wires to center pins.
Connect black wire to ground lug.

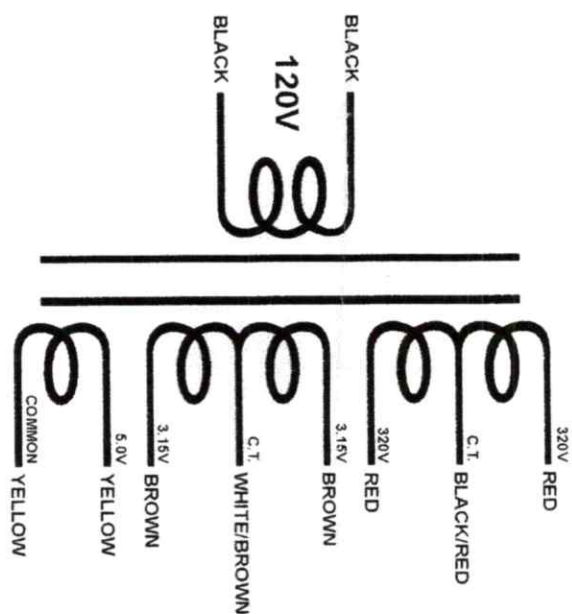


Edcor

Class. 96

XPWR124-120

Primary: 120Vrms, 60Hz
640V, 150mA Center Tapped
6.3V, 4A Center Tapped
5.0V, 2A



ROHS
REACH

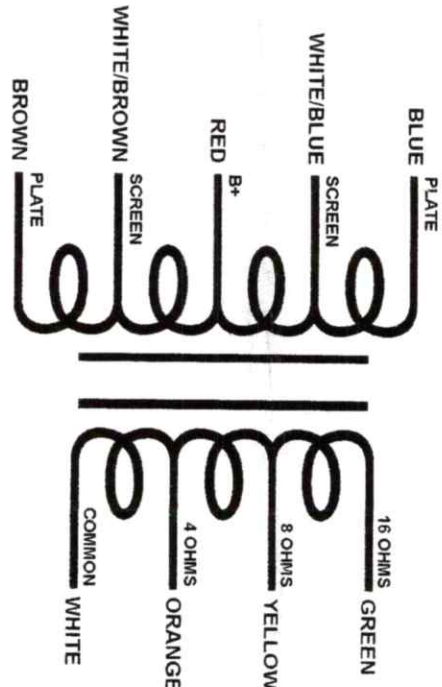
www.edcorusa.com
EDCOR Electronics Corporation
7130 National Parks Highway
Carlsbad, NM 88220
U.S.A.
(575) 887-6790

Edcor

Class. 96

CXPP30-MS-6.6K

30 Watts
Primary: 6600 Ohms,
Screen Voltage 40%
Secondary: 4, 8 & 16 Ohms.



ROHS
REACH

www.edcorusa.com
EDCOR Electronics Corporation
7130 National Parks Highway
Carlsbad, NM 88220
U.S.A.
(575) 887-6790