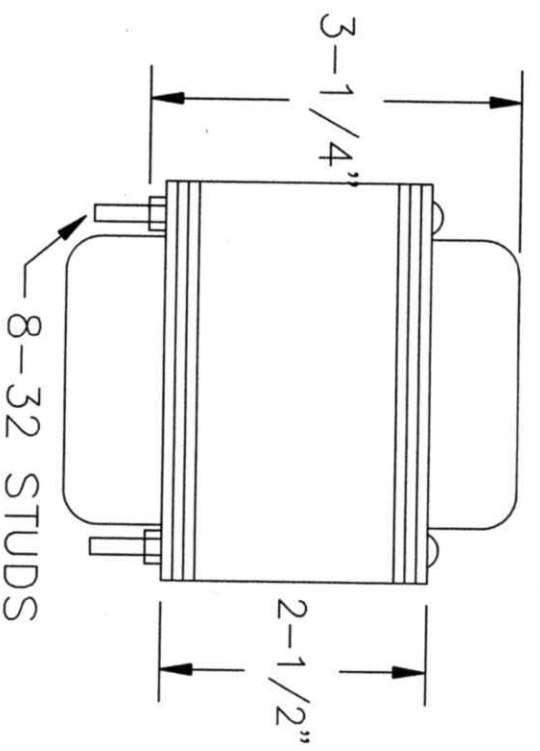
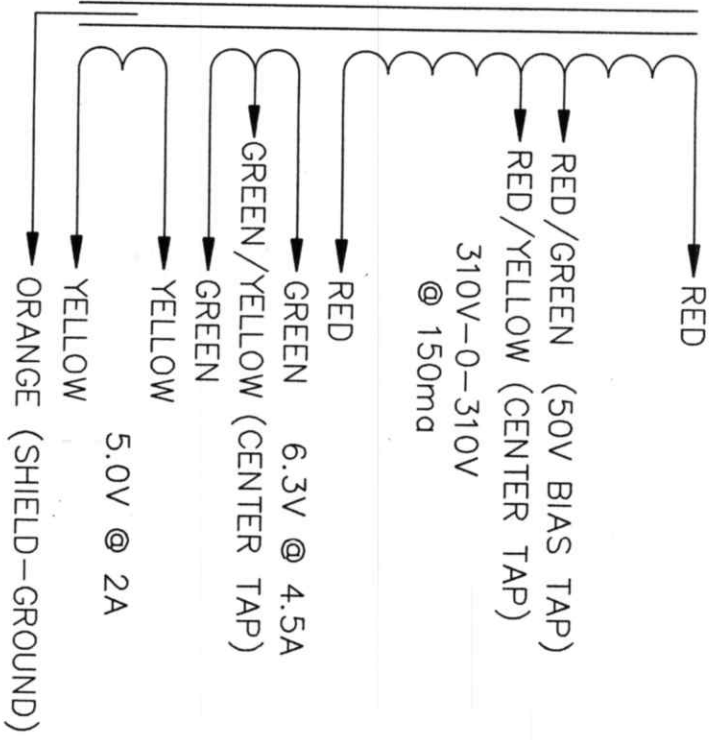
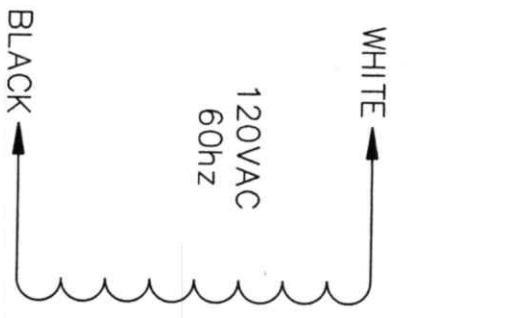


12" UNISTRAND (TINNED) LEADS
COPPER FLUX BANDS



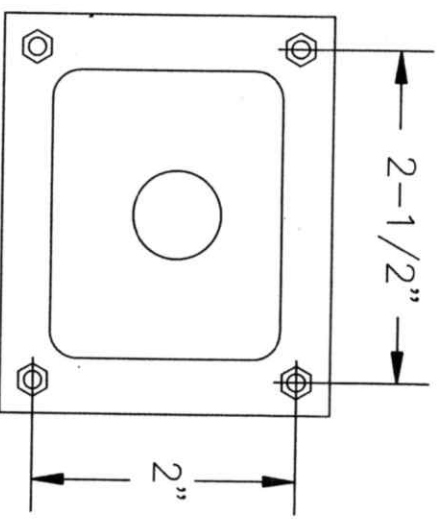
WEIGHT - 5.1lbs



NOTE - GREEN/YELLOW AND RED/GREEN LEADS ARE NOT USED ON CHAMPS. RED/GREEN LEAD IS NOT USED ON THE PRINCETON OR PRINCETON REVERB. TRIM BARE ENDS, COVER WITH HEAT SHRINK TUBING AND TIE OFF. GROUND THE ORANGE LEAD FOR LOWER HUM EMISSION.

PART NUMBER - TP25

DO NOT USE WITH 5U4G RECTIFIERS!



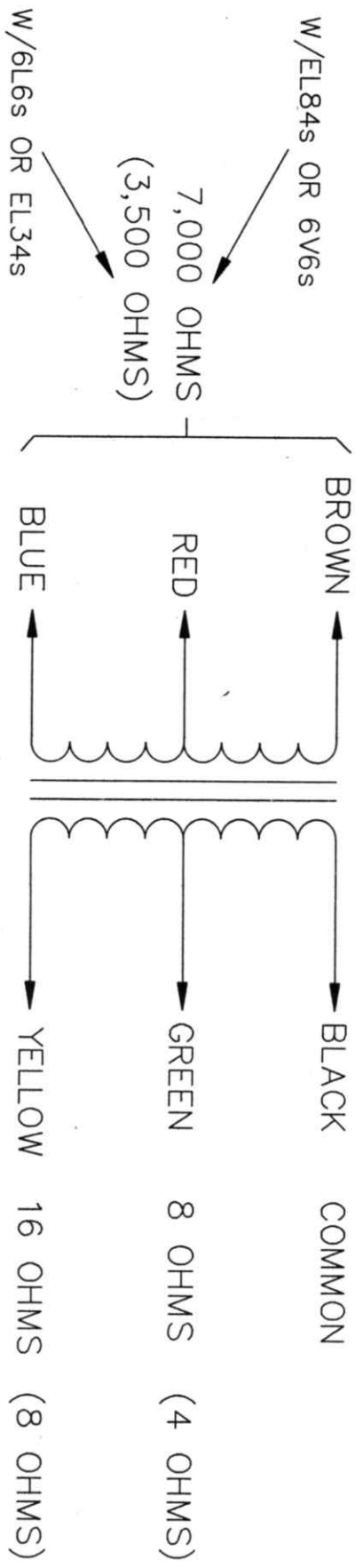
ALLEN AMPLIFICATION
1325 RICHWOOD ROAD
WALTON, KY 41094
859 485 6423
allenamps@fuse.net
www.allenamps.com

POWER TRANSFORMER FOR V18, HOT FUDGE, SWEET SPOT AND ACCOMPLICE AMPS. PRINCETON/CHAMP UPGRADE.

P: TP25 10/5/07

12" UNISTRAND (TINNED) LEADS
 PAPER BOBBIN, PAPER LAYERED
 INTERLEAVED WINDINGS.

GRAIN ORIENTED LAMINATION STEEL



- 3-1/8" MOUNTING CENTERS
- 2-1/4" TALL ABOVE MOUNTING SURFACE
- 2-5/8" WIDE ACROSS END BELLS
- 2-11/16" DEEP 2.1LBS.

PART #TO26

ALLEN AMPLIFICATION
 1325 RICHWOOD ROAD
 WALTON, KY 41094
 859 485 6423
 allenamps@fuse.net
 www.allenamps.com

BOLT IN UPGRADE
 OUTPUT XFMR FOR
 DELUXE, 18W,
 PRINCETON

8/1/08